

# TEAC

## SERVICE MANUAL

---

# CTM341TXT

## 14" CTV WITH TXT

---

# SERVICE MANUAL

## 14" SOLID STATE Color Television Receiver

ART-TECH. TV.

( PAL / SECAM VERSION )  
PHILIPS ONE CHIP IC

This manual is the latest at the time of printing, and does not include the modification which may be made after the printing, by the constant improvement of product.

Document : SM - 10PM

Date : 13 MAY 1997

Approved by : [Signature]  
( Sunny Cheung )

Checked by : \_\_\_\_\_

( Wong Choy Sun )

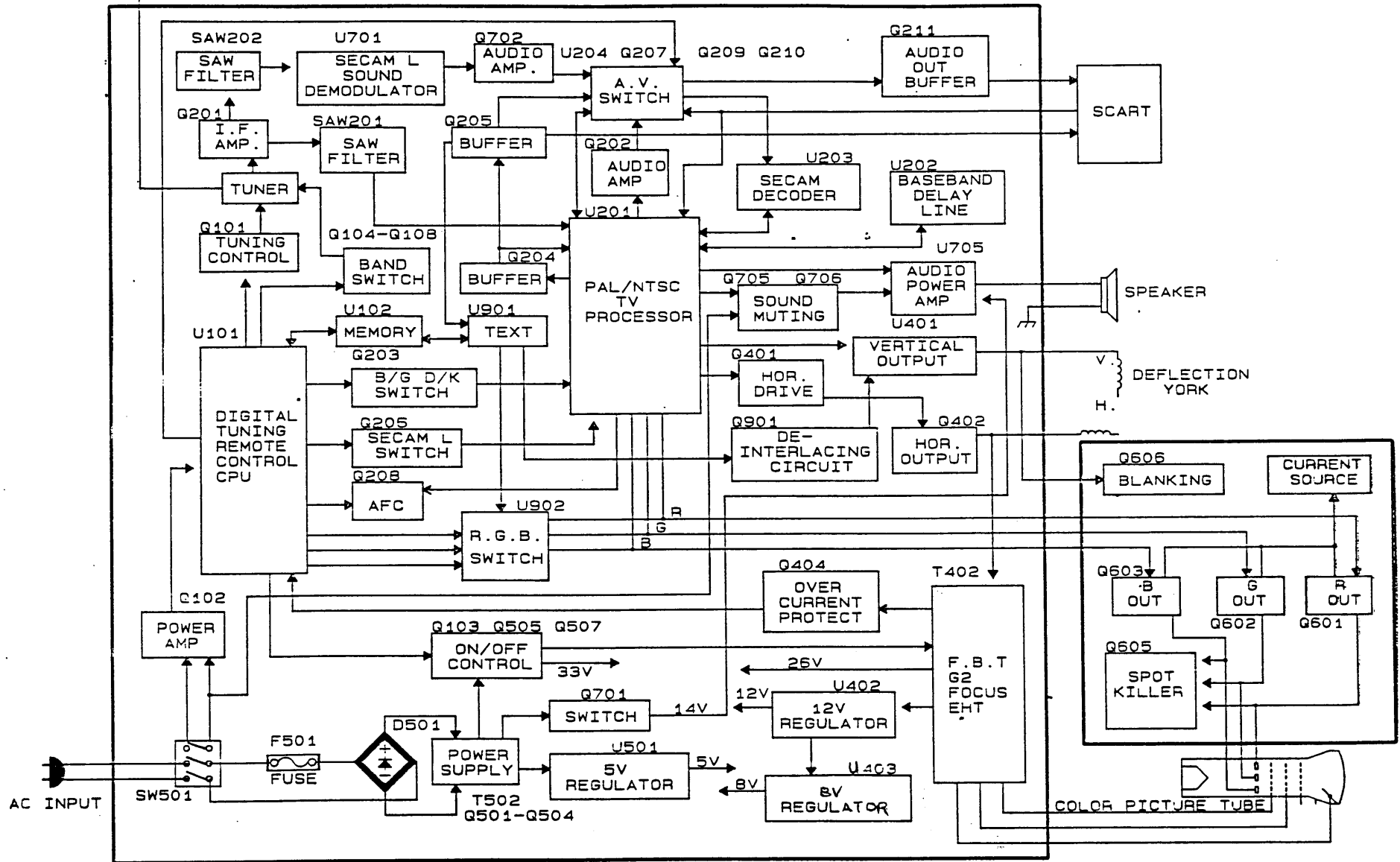
## SPECIFICATION

SUPPLY VOLTAGE : AC220V 50Hz  $\geq +10\%$  /  $-20\%$

SYSTEM :	PAL - I / I	PAL - BG	PAL - I (UK)	PAL - SECAM - BG / DK	PAL - SECAM - BG / DK (HYPER)	PAL - BG (HYPER)	PAL - BG (CATV)	SECAM - L	L'	
CHANNEL L - VHF : H - VHF : UHF :	4 - 13 21 - 69	2 - 4 5 - 12 21 - 69	21 - 69	1 - 5 6 - 12 21 - 69	1 - 5 6 - 12 21 - 69	E2 - S10 E5 - S41 E21 - E69	E2 - S2 E5 - S20 E21 - E69	1 - Q 21 - 69	FB - FC	CH CH CH
VIF FREQUENCY :	38.9	38.9	39.5	38	38.9	38.9	38.9	38.9	32.7	MHz
SIF FREQUENCY :	32.9	33.4	33.5	31.5 32	32.4 33.4	33.4	33.4	32.4	39.2	MHz
CHROMA IF FREQUENCY :	34.47	34.47	35.07	33.57 33.57	34.47 34.47	34.47	34.47	34.47		MHz
INTER-CARRIER FREQUENCY :	6.0	5.5	6	6.5 6	6.5 5.5	5.5	5.5	6.5	6.5	MHz
SCANNING HORIZONTAL : VERTICAL :	15625 LINE 50 Hz									
ANTENNA INPUT IMPEDANCE :	75 OHM									
CRT :	14"									



# GT-9313 PHILIPS MONO CHIP IC BLOCK DIAGRAM



# ALIGNMENT INSTRUCTION

## I. PLEASE READ BEFORE ATTEMPTING SERVICE

1. Never disconnect any leads while receiver is in operation.
2. Disconnect all power before attempting any repairs.
3. Do not short any portion of the circuit while power is on.
4. For safety reasons, all parts replaced should be identical, ( for parts and part numbers see parts list ).
5. Before alignment the set must be pre-heated for 30 minutes or more and erase magnetism thoroughly from CRT front chassis frame by erase coil.
6. An isolation transformer should be used during any dynamic service to avoid possible shock hazard.

## II. TEST EQUIPMENT

- |   |   |
|---|---|
| 1. VIF Sweep Generator                  | 7. Volt Ohmmeter                          |
| 2. SIF Sweep Generator                  | 8. High Voltage Meter                     |
| 3. Colour Bar Dot Cross Hatch Generator | 9. Ampere Meter ( 0.5 Class, DC 3mA Max ) |
| 4. DC Power Supply                      | 10. Demagnetizing Coil                    |
| 5. Oscilloscope                         | 11. Philips Pattern Generator             |
| 6. Vacuum Tube Voltmeter                | 12. High Pot Tester                       |

## III. VIF ALIGNMENT

### A. Preparation step. ( see fig.1a )

1. Connect Sweep Generator to tuner test point and Ground.
2. Connect  $14V \pm 1V$  Bias Voltage to C406 (+) and Ground.
3. Connect A.G.C. Bias Voltage to PIN 48 of U201  
\*A.G.C. Bias Voltage can't over 5V. ( see fig.1b )
4. Disconnect the soldering pads 'H' and 'I'.
5. Connect  $14V \pm 1V$  Bias Voltage to C514 (+).

### B. TANK COIL ALIGNMENT

1. Calibrate the division of Sweep Generator equal to 100mV per div.
2. Adjust the output of Sweep Generator to -40dB.  $\pm 20$ dB.
3. Connect the waveform detector to TP201 and Ground.
4. Adjust A.G.C. Bias Voltage to achieve 1V p-p  $\pm 10\%$  output on oscilloscope.
5. Adjust L204 to obtain P.C. ( 38.9 MHz ) at the lowest point ( fig.2 )  $\pm 0.5$  DIV.

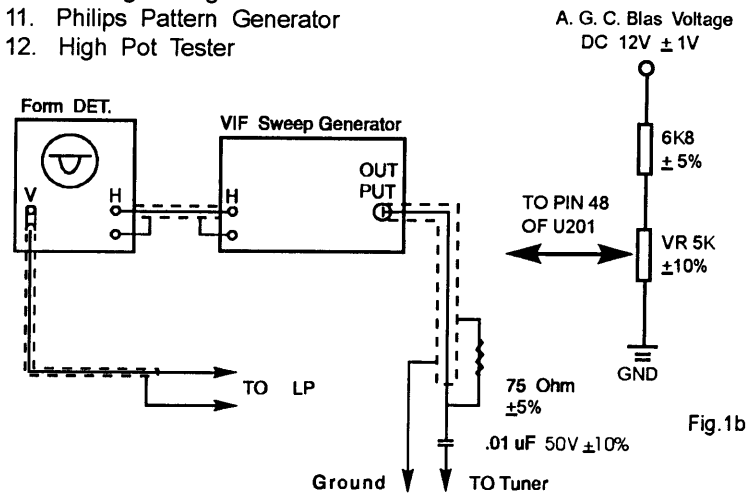


Fig.1b

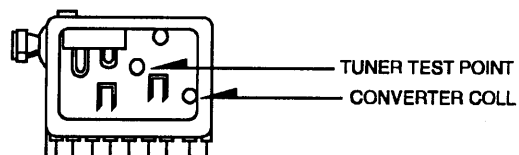


Fig. 1

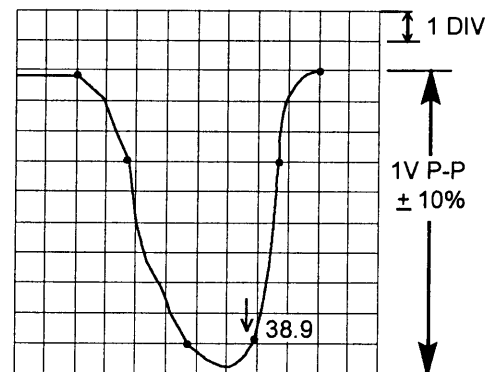


Fig. 2

SYSTEM :	B/G	DK HYPER BAND	I / I	D / K	I (UK)
P.C. ( MHz )		38.9 MHz		38.0 MHz	39.5 MHz

REMARK: ALL FREQUENCY OF MARKER POINTS ARE  $\pm 0.2\%$  TOLERANCE.

### C. V.I.F. ALIGNMENT

1. Connect  $100\text{ohm} \pm 5\%$  Res. parallel to R266
- 1a. (If the model is SECAM - L). Connect  $100\text{ohm} \pm 5\%$  Res. between Pin 10 of U201 and Q206 'B'
2. The output of Sweep Generator should be  $-40\text{dB} \pm 20\text{dB}$
3. Adjust A. G. C. Bias to maintain the waveform achieve  $1\text{V p-p} \pm 10\%$  (about 4V)
4. Adjust tuner converter coil to obtain waveform as Fig.3 (Point (C. C.) and point (P. C.) can have  $\pm 0.5\text{div}$  tolerance)
5. If the tuner haven't converter coil V. I. F alignment may be omitted

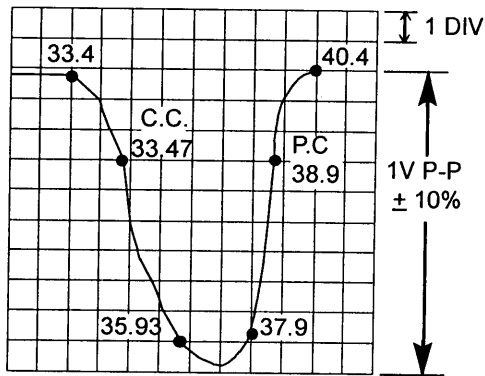


Fig.3

SYSTEM : PAL - BG / L - L'  
 PAL - BG / L  
 PAL - BG / DK  
 ( W / HYPER BAND )  
 PAL - BG

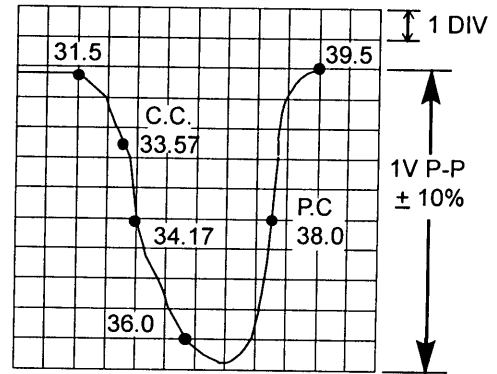


Fig.3

SYSTEM : PAL - BG / DK  
 ( W / O HYPER BAND )

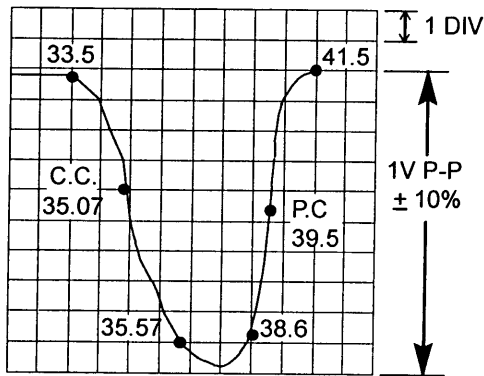


Fig.3

SYSTEM : PAL - I ( UK )

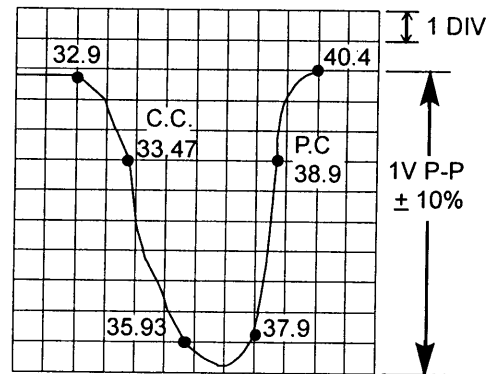


Fig.3

SYSTEM : PAL - I / I

#### D. FINE AFC ALIGNMENT

1. Apply Pal I. F. signal (38.9 MHz) modulated with a colour bar pattern to tuner I. F. point.
2. The output of I. F. signal should be  $80 \text{ dB} \pm 3 \text{ dB}$ .
3. Connect a digital voltmeter to TP203 and Ground.
4. Adjust L204 to obtain a reading of  $3.75 \text{ V} \pm 0.25 \text{ V}$ .
5. Soldering the pads 'H' and 'I'.

SYSTEM	BG/DK	BG/DK W/H.BAND	PAL-I	PAL-BG PAL-III PAL-BG/L
IF SIGNAL (MHz)	38.0	38.9	39.5	38.9

#### IV. B+ ADJUSTMENT

- 1) Connect a digital voltmeter to TPB+ and ground.
- 2) Set Brightness, Contrast and colour to minimum.
- 3) Adjust VR101 (Sub-brightness) to centre and FBT volume just be seen.
- 4) Adjust VR501 and obtain a reading of  $111 \text{ V} \pm 1 \text{ V}$ . (FOR CAIHONG CRT)

#### V. AGC ALIGNMENT

- 1) Receive monoscope pattern at CH 69 UHF. (Tuner input field strength table show as below)
- 2) Connect a digital meter between the Tuner AGC terminal and ground.
- 3) Adjust the AGC variable resistor (VR201) to the MAXIMUM position (clockwise), and then adjust the VR anti-clockwise until the voltage drop down  $\geq 0.4 \text{ V}$ .

TUNER MODEL NO.	RF INPUT SIGNAL(dB)	TUNER MODEL NO.	RF INPUT SIGNAL(dB)
ENV598B7F2	$62 \pm 2 \text{ dB}$	OSCAR 2900KKC	$60 \pm 2 \text{ dB}$
UVC6201-RC	$57 \pm 2 \text{ dB}$	HBC3300KHC	$60 \pm 2 \text{ dB}$
UVC8303-RW	$57 \pm 2 \text{ dB}$	TBD1CAB14	$60 \pm 2 \text{ dB}$
UVL1812-AW	$57 \pm 2 \text{ dB}$	TECC1986VA0618	$60 \pm 2 \text{ dB}$
UVC1401-EW	$57 \pm 2 \text{ dB}$	TBD1-HYPV15A	$60 \pm 2 \text{ dB}$
TBQ-5-32	$57 \pm 2 \text{ dB}$	UVE33-W24/R16-8649	$60 \pm 2 \text{ dB}$
TBQ 8-12	$57 \pm 2 \text{ dB}$	UVE50-AW04D	$60 \pm 2 \text{ dB}$
VISHZUZ51	$60 \pm 2 \text{ dB}$		

Remark : a/. the voltage drop down must be close 0.4V  
b/. no noise on the picture

#### VI. FOCUS ALIGNMENT

- 1) Set the brightness and contrast to middle position.
- 2) Receive Monoscope pattern input signal  $70 \text{ dB} \pm 10 \text{ dB}$ .
- 3) Adjust focus control to obtain sharpest picture.

#### VII. HORIZONTAL CIRCUIT ADJUSTMENT

- 1) Receive Monoscope Pattern input signal  $70 \text{ dB} \pm 10 \text{ dB}$ .
- 2) Adjust VR202 to obtain the picture at center.  
(Specification show in FIG. 5)

#### VIII. VERTICAL CIRCUIT ADJUSTMENT

- 1) Receive the Monoscope Pattern input signal  $70 \text{ dB} \pm 10 \text{ dB}$ .
- 2) Adjust VR402 to obtain a normal picture.

#### IX. CUT-OFF VOLTAGE ALIGNMENT

- 1) Receive PHILIPS Pattern input signal  $70 \text{ dB} \pm 10 \text{ dB}$ .
- 2) Turn the contrast, brightness and colour to the minimum value.
- 3) Turn VR601, 602, 603, 604, and 605 to the middle position.
- 4) Adjust the middle point of Sub-brightness variable resistor (VR101) to  $1.5 \text{ V} \pm 0.1 \text{ V}$ .
- 5) Adjust the screen volume on FBT can just be seen.



DISTRICT	CENTRE (mm) POSITION	LIMIT (mm)	SCANNING SIZE (%)	SCANNING SIZE LIMIT (%)
THAILAND	-1	0 ~ -2	90	88 ~ 92
FRANCE	+3	0 ~ +5	90	88 ~ 94
GERMANY	+3	0 ~ +5	90	90 ~ 95
*GROUP A	-2	-5 ~ -1	90	88 ~ 94
*GROUP B	0	-2 ~ +2	90	88 ~ 94
*GROUP C	+3	0 ~ +5	90	88 ~ 94

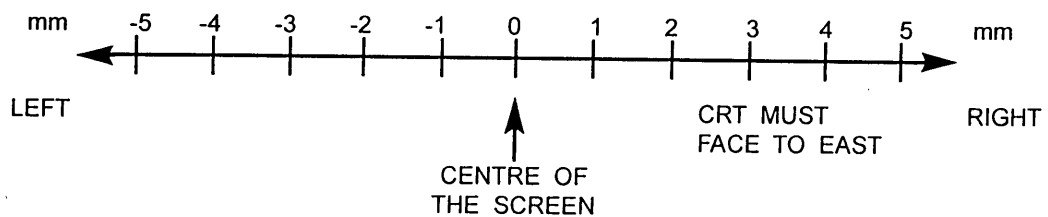


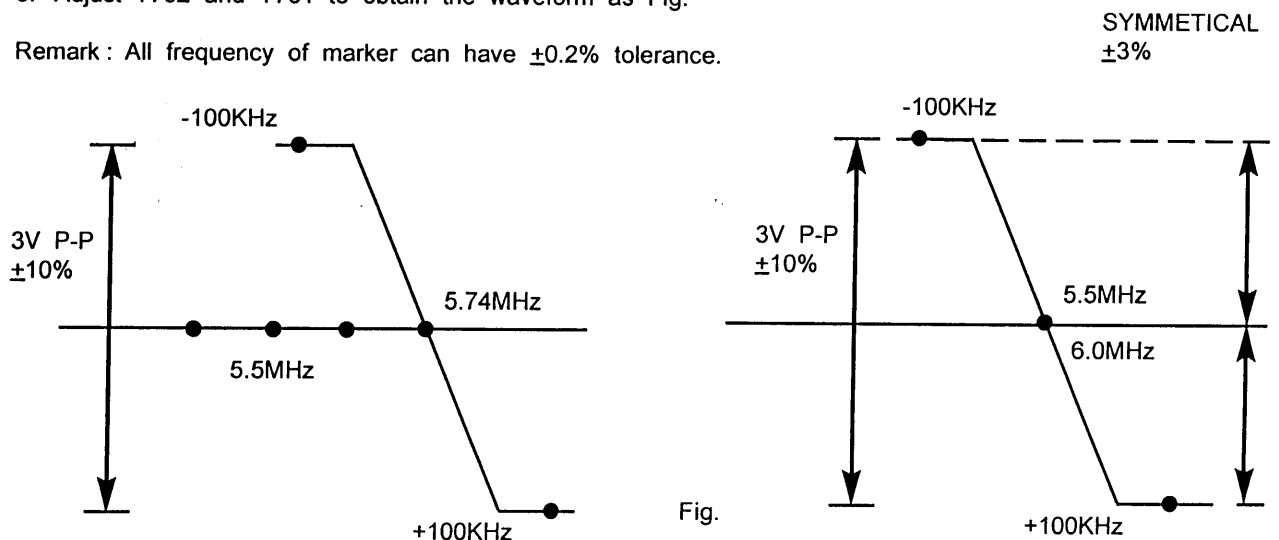
FIG. 5

- REMARK :
1. SUITABLE FOR 14" OR ABOVE TV.
  2. Adjust the centre position must take the upper side of monoscope pattern for standard.
  3. Group A : AUSTRALIA, NEW ZEALAND, TAHITI.
  4. Group B : HONG KONG, CHINA, AMERICA, CANADA, MALAYSIA, MEXICO.
  5. Group C : ENGLAND, ITALY, GERMANY, RUSSIA, SWITZERLAND, JUGOSLAVIA, SPANISH.
- If the above countries are not include, please consult to Engineering Dept.

VI - a. SIF ALIGNMENT ( FOR NICAM & G. STEREO )

1. Connect the sweep generator to U701 Pin 15.
2. Connect waveform detect to PIN1 and PIN3 at CN704.
3. Connect A.G.C. Bias voltage to U701 Pin 2.
4. The output of sweep generator should be -30dB  $\pm$ 5dB.
5. Adjust T702 and T701 to obtain the waveform as Fig.

Remark : All frequency of marker can have  $\pm$ 0.2% tolerance.



VII - b. SOUND TANK COIL ALIGNMENT ( FOR NICAM & G. STEREO )

1. Connect Philips Pattern Generator to tuner test point and Ground. ( Frequency is (39.5) 38.9MHz color bar input signal is 80dB  $\pm$ 3dB )
2. Connect Digital multimeter to PIN12 at U701.
3. Adjust T703 to obtain a DC 2.8V  $\pm$ 0.1V.

**X. WHITE BALANCE ALIGNMENT STEP**

- 1) Degauss the picture by degaussing coil if necessary.
- 2) Receive a black and white pattern input signal  $70\text{dB} \pm 10\text{dB}$  or video input  $1\text{V p-p} \pm 3\text{db}$ .
- 3) Adjust VR601, 602, 603, 604, 605 to obtain uniformly white picture  $9300^\circ\text{K} \pm 3\text{JND}$ .

**XI. SUB-BRIGHTNESS ALIGNMENT**

- 1) Receive a PHILIPS bar pattern input signal  $70\text{dB} \pm 10\text{dB}$ .
- 2) Turn the brightness, contrast and colour to minimum.
- 3) Adjust VR101 until the brightest bar can just be seen.

**XII. CONVERGENCE ADJUSTMENT ( IF NECESSARY ) ( SEE FIG.5)**

- 1) Receive a dotted pattern input signal  $70\text{dB} \pm 10\text{dB}$ .
- 2) Unfix the convergence magnet clamber and align red with blue dots at the center of the screen by rotating (R,B) static convergence magnets.
- 3) Align Red / Blue with green dots at the center of the screen by rotating (RB-G) static convergence magnet.
- 4) Fix the convergence magnets by turning the clamber.
- 5) Remove the DY wedges and slightly tilt the deflection yoke horizontally and vertically to obtain the good overall convergence.
- 6) Fix the deflection yoke by wedges.
- 7) If purity error is found, follow "PURITY ADJUSTMENT" INSTRUCTIONS.

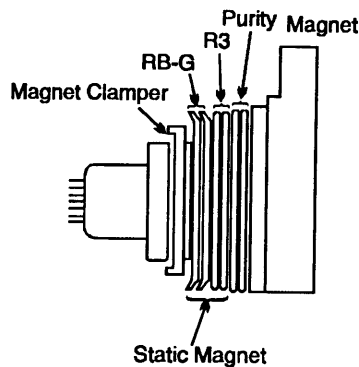


Fig. 5

**XIII. HIGH POT TESTING**

- 1) Short the LINE CORD L-pole and N-pole.
- 2) Switch on the power switch of the TV set.
- 3) The High Pot Tester (-) connect to the L and N pole and (+) connect to the metal parts of cabinet.

REMARK: The High Pot Tester can have  $\leq \pm 3\%$  tolerance.

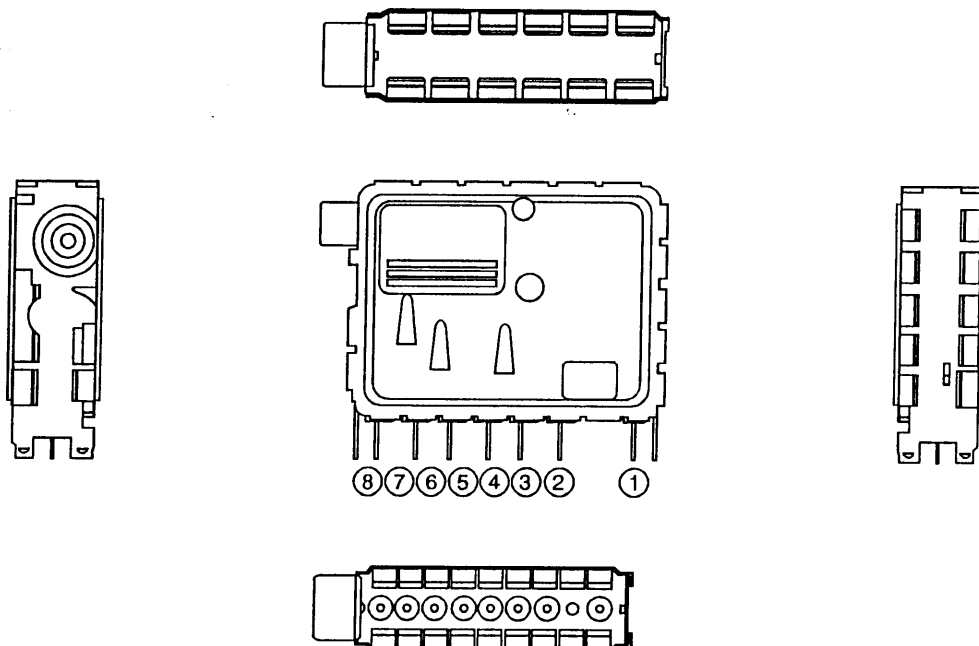
CONDITION	TEST SYANDARD	TEST STANDARN FOR PRODUCTION
SAFETY STD.		
VDE, SAA	3.0KV 10mA / 1MIN	$\geq 3.5\text{KV} \leq 10\text{mA} / \geq 10 \text{ SEC.}$
BS	4.0KV 10mA / 1MIN	$\geq 4.0\text{KV} \leq 10\text{mA} / \geq 10 \text{ SEC.}$
CHINA STANDARD	3.0KV 10mA / 1MIN	$\geq 3.3\text{KV} \leq 5\text{mA} / \geq 6 \text{ SEC.}$

# TRANSISTOR AND IC IDENTIFY

				FOR SECAM		FOR TELETEXT			
	TDA8362 TDA8361K		HCF4053BF TDA4665		PH2369 2N5551 BF370 BC557B BC547B 2N5401 BC548B ED1402C 2N5551 BC558B ED1602		TDA8395 TDA3843		SAA5254 P/H  SAA5254 P/T
	CTV222S  CTV222 PRC-1  CTV322S  CTV350G W-2		BU2508DF 2SD1545		2SC2482 BF422		SAA 7282ZP		PC74HCT 241P TDA 3857 TDA 8425 TDA 8416 TDA 8732
	ST24C01B1 ST24C0AB1		LM7805 LM7808 LM7812		BD135				
			TDA3653B TDA1013B		BUT 1				

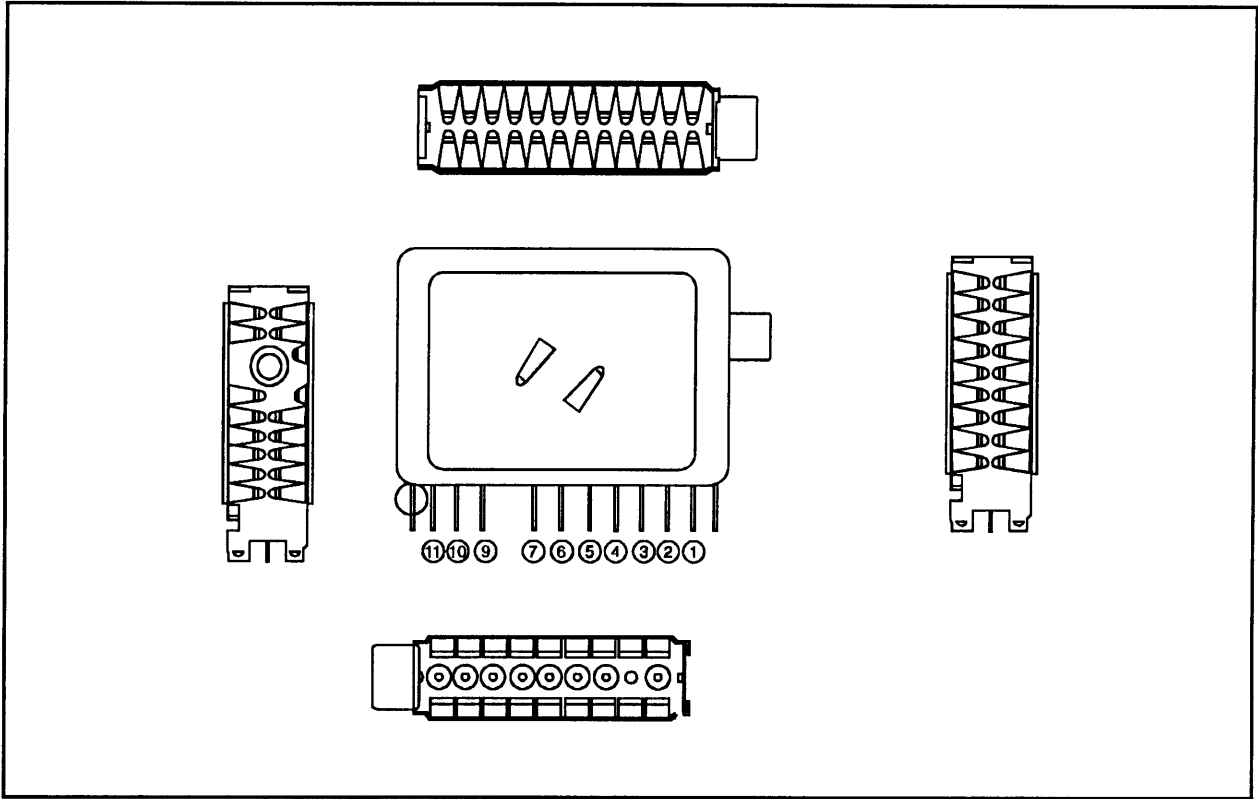
## PICTORIAL VIEW OF TUNER

TERMINAL NO.	1	2	3	4	5	6	7	8
TERMINAL NAME	IF	B+	AFT	LB	AGC	HB	VT	UB



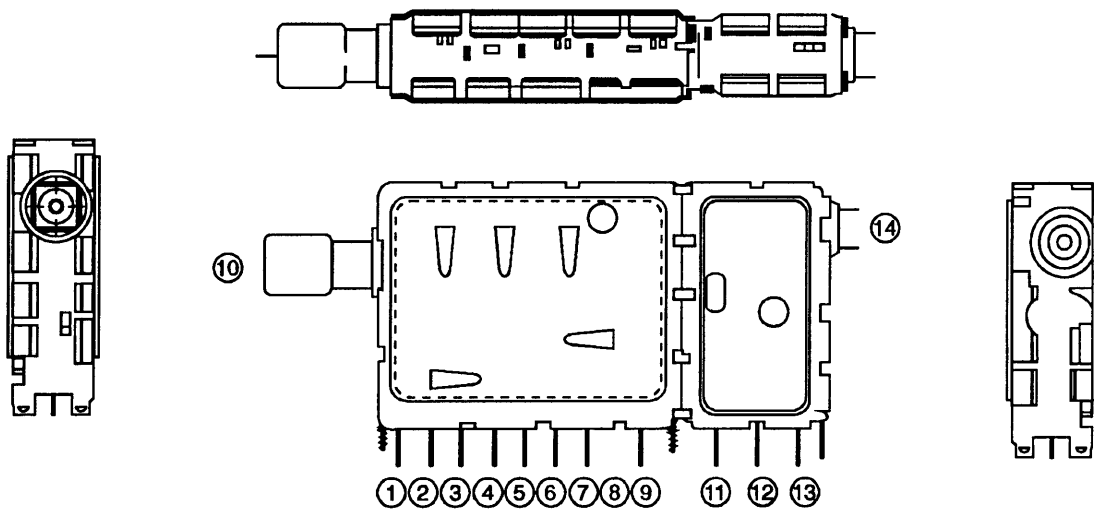
**PICTORIAL VIEW OF TUNER ( WSP TUNER )**

TERMINAL NO.	1	2	3	4	5	6	7	8	9	10	11
TERMINAL NAME	AGC	VT	BU	BH	BL	B+5V	-	-	-	IF GND	IF



**PICTORIAL VIEW OF TUNER ( Only For L' )**

TERMINAL NO.	1	2	3	4	5	6	7	8	9	10	11	12	13	14
TERMINAL NAME	BU	VT	BH	AGC	BL	AFT	B	EMPTY	IF OUT	U/V IN	IF 1	L1	B+	IF2



VOLTAGE TABLE FOR IC ( ONLY FOR REFERENCES )						
SYMBOL PIN NO.	U 201 TDA 8362	U 101 CTV 322	U 202 TDA 4661	U 203 TDA 8395		
1	3	4.4	5.2	4.4		
2	5.8	0.9	0.2	1.3		
3	5.8	4.9	GND	7.9		
4	5.4	4.9	GND	0		
5	8.0	4.9	1.0	0		
6	3.8	2.5	0	0		
7	3.4	0	0.4	3.3		
8	1.7	4.5	GND	4.2		
9	GND	2.9	5.2	3		
10	7.8	5	0	3		
11	GND	GND	3.2	0		
12	3.3	5.6	3.2	0		
13	4.5	5	0	0		
14	4.0	5	1.4	0		
15	3.4	5	0	1.2		
16	0.1	5	1.4	0.6		
17	4.8	5				
18	2.4	0.1				
19	2.4	5				
20	2.4	5				
21	0.4	GND				
22	3.3	0				
23	3.3	0				
24	3.3	0				
25	1.2	0				
26	2.7	0.3				
27	5.5	-0.3				
28	3.8	5				
29	3.8	5				
30	1.5	GND				
31	1.6	2.4				
32	4.6	2.0				
33	5.1	5				
34	1.4	5.4				
35	2	4.8				
36	7.6	0				
37	0.5	0				
38	0.8	0				
39	2.8	3.2				
40	3.7	2.6				
41	2.3	0				
42	2.8	5				
43	4.3					
44	4.0					
45	4.0					
46	4.0					
47	4.1					
48	4.5					
49	1.2					
50	3.6	1	12	9.7	13.7	
51	4.8	2	GND	GND	GND	
52	6.5	3	8	5	12	

SYMBOL PIN NO.	U 401 TDA 3653	U102 24C01B1	U 705 TDA 1013B
1	1.1	0	GND
2	GND	5	7.7
3	1.3	0	16
4	GND	0	15.6
5	12.7	2.6	1.2
6	24.5	3.2	6.7
7	0.4	5	2.4
8	3.9	5	2.8
9	24.1		GND

SYMBOL PIN NO.	U 405 7808	U501 7805	U402 7812
1	12	9.7	13.7
2	GND	GND	GND
3	8	5	12

NOTE : VOLTAGE ARE TAKEN UNDER TUNED CONDITION WITH

CONTRAST : Maximum Position  
 BRIGHTNESS : Maximum Position  
 COLOR : Maximum Position  
 SIGNAL INPUT : 70dBuV ± 10dB  
 CHANNEL SETTING : The Last Channel of UHF High  
 SIGNAL PATTERN : Colour Bar

VOLTAGE TABLE FOR TRANSISTOR ( ONLY FOR REFERENCE )									
LOCATION \ TR	B (V)	C (V)	E (V)	SYMBOL	B (V)	C (V)	E (V)		
Q101	0.6	1.2	0	Q402	-0.1	112.5	0		
Q102	0	0	0	Q501	9.1	12.8	8.4		
Q103	0	4.6	0	Q502	5.4	0	1.7		
Q104	0	11.9	0	Q503	0	1.2	0		
Q105	0.6	0	0	Q504	-2.6	293	0.07		
Q106	12	0	12	Q505	0.6	0.06	0		
Q107	12	0	12	Q506	113.1	113.7	113.8		
Q108	11.1	11.7	12	Q507	113.7	113.8	113		
Q201	2.3	11.7	1.6	Q601	2.6	129.2	2.1		
Q202	1.4	4.8	0.8	Q602	2.5	128.3	1.9		
				Q603	2.5	128.4	1.9		
Q204	3.1	7.3	2.4	Q604	3.7	0	3.9		
Q205	2.3	7.7	1.7	Q605	0	175	0		
				Q606	-0.2	11.3	0		
Q207	0	6.3	0	Q701	16.7	16.1	16.1		
Q208	3.6	7.9	2.9	Q702	2	5	1.3		
Q209	0	6.3	0	Q705	0.2	8.1	0		
Q210	0.7	0	0	Q706	0	8.1	0		
Q211	4.8	12	4.1						
Q401	0.5	0	0						

NOTE : VOLTAGE ARE TAKEN UNDER TUNED CONDITION WITH

CONTRAST : Maximum Position  
 BRIGHNESS : Maximum Position  
 COLOR : Maximum Position  
 SIGNAL INPUT : 70dBuV ± 10dB  
 CHANNEL SETTING : The Last Channel of UHF High  
 SIGNAL PATTERN : Colour Bar

VOLTAGE TABLE FOR TRANSISTOR ( ONLY FOR REFERENCE )				VOLTAGE TABLE FOR IC		
SYMBOL	B (V)	C (V)	E (V)	SYMBOL PIN NO.	U 901 SAA5254P / T SAA5254P / H	U 902 PC74HC T241P
Q101	0.6	1.2	0	1	5	0
Q102	0	0	0	2	2.1	0
Q103	0	4.6	0	3	3.5	0
Q104	0	11.9	0	4	0	0
Q105	0.6	0	0	5	0	0
Q106	12	0	12	6	5	0
Q107	12	0	12	7	2	0
Q108	11.1	11.7	12	8	2.2	0
Q201	2.3	11.7	1.6	9	2.5	0
Q202	1.4	4.8	0.8	10	5	0
Q204	3.1	7.3	2.4	11	5	0
Q205	2.3	7.7	1.7	12	1.8	0
Q207	0	6.3	0	13	5	0
Q208	3.6	7.9	2.9	14	0	0
Q209	0	6.3	0	15	0	0
Q210	0.7	0	0	16	0	0
Q211	4.8	12	4.1	17	0	0
Q401	0.5	0	0	18	4.1	0
Q402	-0.1	112.5	0	19	0	0
Q501	9.1	12.8	8.4	20	0	5
Q502	5.4	0	1.7	21	0.7	
Q503	0	1.2	0	22	0	
Q504	-2.6	293	0.7	23	0	
Q505	0.6	0.06	0	24	3	
Q506	113.1	113.7	113.8	25	2.6	
Q507	113.7	113.8	113	26	0.7	
Q601	2.6	129.2	2.1	27	0.7	
Q602	2.5	128.3	1.9	28	0.8	
Q603	2.5	128.4	1.9	29	0	
Q604	3.7	0	3.9	30	0	
Q605	0	175	0	31	0.8	
Q606	-0.2	11.3	0	32	0.7	
Q701	16.7	16.1	16.1	33	0.7	
Q702	2	5	1.3	34	0.8	
Q705	0.2	8.1	0	35	0.7	
Q706	0	8.1	0	36	0.8	
Q901	0.3	6	0	37	0.7	
				38	0.8	
				39	0.8	
				40	0.7	

W / TEXT

NOTE : VOLTAGE ARE TAKEN UNDER TUNED CONDITION WITH

- CONTRAST : Maximum Position
- BRIGHNESS : Maximum Position
- COLOR : Maximum Position
- SIGNAL INPUT : 70dB $\mu$ v  $\pm$  10dB
- CHANNEL SETTING : The Last Channel of UHF High
- SIGNAL PATTERN : Colour Bar

PROGRAM ID : TVSTDCST  
Print Date : 11/09/97  
Page Number : 1

<< B.O.M. TV STANDARD PRICE LIST FOR CUSTOMER >> - CURRENCY (USD)

PRODUCT CODE : 9313T1-240003-TV  
DESCRIPTION : A-3 TEAC P/B W/SC./1P.TXT 240VSAA MONO 40P"RAINBOW"AUSTRALIA

ASSEMBLY NUMBER	DESCRIPTION
155-931305-00-25	HANDSET ASS'Y FOR R/C:9313 W/TXT W/O LCD
180-9313T1-24-03	NON-COM PART ASS'Y PAL/BG W/SCART/1P.TXT
180-9313T1-24-CP	COM PART ASS'Y PAL/BG W/SCART/1P.TXT

\*\* THIS SPARE LIST IS MADE FOR TECHNICAL / MAINTENANCE REFERENCE ONLY \*\*



\*\* THIS SPARE LIST IS MADE FOR TECHNICAL / MAINTENANCE REFERENCE ONLY \*\*

Print Date : 11/09/97

PRODUCT CODE : 9313T1-240003-TV

Page Number : 2

DESCRIPTION : A-3 TEAC P/B W/SC./1P.TXT 240VSAA MONO 40P"RAINBOW"AUSTRALIA

Component Part	Description / Location	Unit	Subs	Quantity Required	Unit Price	Amount
*** ASSEMBLY : 155-931305-00-25 HANDSET ASS'Y FOR R/C:9313 W/TXT W/O LCD						
107-800455-46	455K HZ RESONATOR "WEI HAW" CF701	PC	0	1.00000	0.1355	0.135500
113-101005-17	CARBON FILM RESISTOR 100 OHM 1/16W +-5% R704,706	PC	0	2.00000	0.0033	0.006600
113-102005-17	CARBON FILM RESISTOR 1K OHM 1/16W +-5% R705	PC	0	1.00000	0.0033	0.003300
113-103005-17	CARBON FILM RESISTOR 10K OHM 1/16W +-5% R702	PC	0	1.00000	0.0033	0.003300
113-109005-17	CARBON FILM RESISTOR 1 OHM 1/16W +-5% R708,710	PC	0	2.00000	0.0033	0.006600
113-473005-17	CARBON FILM RESISTOR 47K OHM 1/16W +-5% R703	PC	0	1.00000	0.0033	0.003300
113-682005-17	CARBON FILM RESISTOR 6.8K OHM 1/16W +-5% R701	PC	0	1.00000	0.0033	0.003300
127-476042-03	ELECT. CAP. 47 MFD 16V +-20% C701	PC	0	1.00000	0.0290	0.029000
130-600101-00	INFRARED EMITTER EL-1L1 KODENSHI LED701	PC	0	1.00000	0.0774	0.077400
131-210719-29	TRANSISTOR 2SA719R/S MATSUSHITA Q702	PC	0	1.00000	0.0581	0.058100
131-230945-00	TRANSISTOR 2SC945 NEC Q701	PC	0	1.00000	0.0275	0.027500
133-803010-33	I.C. SAA3010T PHILIPS IC701	PC	0	1.00000	0.7955	0.795500
172-626006-42	UL 1007 TOP COAT WIRE AWG 26 60MM RED 10 X 10 MM FROM REMOTE PCB '3V' TO BATTERY CONTACT PLATE '+'	PC	0	1.00000	0.0021	0.002100
172-626008-40	UL 1007 TOP COAT WIRE AWG 26 80MM BLACK 10 X 10 MM FROM REMOTE PCB 'GND' TO BATTERY CONTACT PLATE '-'	PC	0	1.00000	0.0026	0.002600
172-726000-99	BARE WIRE 54MM W701-702	M	0	0.11000	0.0093	0.001023
190-931300-02	REMOTE P.C.B. (190593)	PC	0	1.00000	0.4529	0.452900
514-200407-10	SELF-TAPPING SCREW 2 X 7 B/T (HARDEN) FOR HANDSET	PC	0	1.00000	0.0019	0.001900
516-260408-10	SELF-TAPPING SCREW 2.6 X 8 P/T(HARDEN) FOR HANDSET	PC	0	2.00000	0.0017	0.003400
774-931301-00	BATTERY SPRING (+-)	PC	0	1.00000	0.0304	0.030400
774-931302-00	BATTERY SPRING (+)	PC	0	1.00000	0.0209	0.020900
774-931303-00	BATTERY SPRING (-)	PC	0	1.00000	0.0199	0.019900
810-041104-13	POLYBAG 4" X 11" X 0.04MM W/RE-CYCLING MARK FOR HANDSET	PC	0	1.00000	0.0056	0.005600
849-931303-00	CONTACT RUBBER KEY PAD (SHARP WELL)	PC	0	1.00000	0.4452	0.445200
889-931310-00	HANDSET COVER PLATE FOR W/O LCD REMOTE	PC	0	1.00000	0.0097	0.009700
892-931331-06	DIAL KEY PLATE - TEAC DESIGN (CT-M341TXT) (RC-661)	PC	0	1.00000	0.1802	0.180200
900-931311-01	HANDSET TOP CABINET - MOULDED BLACK	PC	0	1.00000	0.1703	0.170300
902-931311-01	HANDSET BOTTOM CABINET-MOULDEDBLACK	PC	0	1.00000	0.1312	0.131200
910-931301-01	BATTERY DOOR - BLACK MOULDED	PC	0	1.00000	0.0290	0.029000
964-931301-00	SENSOR LENS	PC	0	1.00000	0.0211	0.021100

ASSB PRICE : 2.676823

\*\* THIS SPARE LIST IS MADE FOR TECHNICAL / MAINTENANCE REFERENCE ONLY \*\*

Print Date : 11/09/97

PRODUCT CODE : 9313T1-240003-TV

Page Number : 3

DESCRIPTION : A-3 TEAC P/B W/SC./1P.TXT 240VSAA MONO 40P"RAINBOW"AUSTRALIA

Component Part	Description / Location	Unit	Subs	Quantity Required	Unit Price	Amount
*** ASSEMBLY : 180-9313T1-24-03 NON-COM PART ASS'Y PAL/BG W/SCART/1P.TXT						
002-114022-40	14" CRT #37SX110Y22-DC05A S/H CAI HONG	PC	0	1.00000	64.5000	64.500000
003-131372-07	TUNER OSCAR 2900KKC 3X1 772 "TELEFUNKEN" (HIGH JACK) UV201	PC	0	1.00000	8.1000	8.100000
008-550151-05	DEGAUSSING COIL 40T (W/FIVE LAYERS OF TAPE)	PC	0	1.00000	0.8013	0.801300
107-738916-00	SAW FILTER TSF-5316 SANYO SAW201	PC	0	1.00000	1.0322	1.032200
113-102105-17	CARBON FILM RESISTOR 1K OHM 1/4W +-5% R207	PC	0	1.00000	0.0028	0.002800
113-103101-67	METAL FILM RESISTOR 10K OHM 1/4W +-1% R101	PC	0	1.00000	0.0093	0.009300
113-224105-17	CARBON FILM RESISTOR 220K OHM 1/4W +-5% R155	PC	0	1.00000	0.0028	0.002800
133-102411-31	I.C. ST24C01B1 SGS U102	PC	0	1.00000	0.3900	0.390000
133-115254-33	I.C. SAA5254P/T PHILIPS U901	PC	0	1.00000	7.3568	7.356800
160-102255-27	PIN CONNECTOR 2 PINS PLUG STRAIGHT (UL) (S.H.S.) CN701	PC	0	1.00000	0.0093	0.009300
162-110010-00	ANTENNA MATCHING TRANSFORMER (300 OHM TO 75 OHM)	PC	0	1.00000	0.1800	0.180000
166-162030-00	SPEAKER 3" 2W 16 OHM "TCL"	PC	0	1.00000	0.5594	0.559400
171-550084-02	84" AC LINE CORD (END-CUT)SAA APPW/7.5A PLUG.	PC	0	1.00000	0.4355	0.435500
172-726000-99	BARE WIRE 54MM J103,119,122,R104	M	0	0.02000	0.0093	0.000186
179-105026-00	UL PVC TUBE 5 MM 400MM FOR SPEAKER WIRE	PC	0	0.40000	0.1877	0.075080
179-403080-00	SHRINKABLE TUBE 40MM FOR SOLDERING LUG	PC	0	0.04000	0.3019	0.012076
186-227503-14	BATTERY 3A	PC	0	2.00000	0.0639	0.127800
191-200044-09	2 PIN SOCKET ASSM'Y L=440MM CN701 '1' TO SPK. '+', '2' TO SPK. '-'	PC	0	1.00000	0.0432	0.043200
191-400042-07	4 PINS SOCKET ASS'Y AWG 20 420MM FOR CRT YORK	PC	0	1.00000	0.1731	0.173100
514-400408-10	SELF-TAPPING SCREW 4 X 8 B/T (HARDEN) FOR SWIVEL STAND	PC	0	2.00000	0.0047	0.009400
515-303410-10	SELF-TAPPING SCREW 3 X 10 W/B/T (HARDEN) FOR SPK. WIRE	PC	0	1.00000	0.0032	0.003200
610-931301-54	GIFT BOX - TEAC DESIGN (CT-M341TXT)	PC	0	1.00000	1.5852	1.585200
663-230057-97	SERIAL NO. LABEL - OC:GT-057/97 1PC STUCK ON CTN. 1PC STUCK ON RATING LABEL	PC	0	2.00000	0.0077	0.015400
669-881301-1Z	RATING LABEL - TEAC DESIGN (CT-M341TXT) (240V)	PC	0	1.00000	0.0000	0.000000
670-931300-0C	INSTRUCTION MANUAL - TEAC DESIGN (CT-M341TXT) (40P.)	PC	0	1.00000	0.0774	0.077400
678-931306-08	SCREEN STICKER - TEAC DESIGN (CT-M341TXT) TO TOP RIGHT OF THE SCREEN	PC	0	1.00000	0.4703	0.470300
678-931314-03	EASY TUNE CARD (E) - TEAC DESIGN	PC	0	1.00000	0.0794	0.079400
678-931315-03	TOTAL CARE LABEL - TEAC (A) DESIGN 1PC STUCK ON BACK CABINET	PC	0	1.00000	0.0087	0.008700
690-922139-01	WARRANTY CARD- TEAC (A) DESIGN	PC	0	1.00000	0.0581	0.058100
693-931301-09	EAN CODE LABEL - 9313060007768	PC	0	1.00000	0.0077	0.007700

\*\* THIS SPARE LIST IS MADE FOR TECHNICAL / MAINTENANCE REFERENCE ONLY \*\*

Print Date : 11/09/97  
Page Number : 4

PRODUCT CODE : 9313T1-240003-TV  
DESCRIPTION : A-3 TEAC P/B W/SC./1P.TXT 240VSAA MONO 40P"RAINBOW"AUSTRALIA

Component Part	Description / Location	Unit	Subs	Quantity Required	Unit Price	Amount
737-154510-00	METAL WASHER FOR SWIVEL STAND	PC	0	2.00000	0.0109	0.021800
750-063102-01	35MM SOLDERING LUG FOR SPK. CONNECTOR	PC	0	1.00000	0.0082	0.008200
782-721952-04	DOUBLE ROD ANTENNA 520MM	PC	0	1.00000	1.4516	1.451600
800-931305-00	POLYFOAM (1)	PC	0	1.00000	0.2129	0.212900
800-931306-00	POLYFOAM (2)	PC	0	1.00000	0.2129	0.212900
800-931307-00	POLYFORM (3)	PC	0	1.00000	0.1839	0.183900
800-931308-00	POLYFOAM (4)	PC	0	1.00000	0.1839	0.183900
810-303004-61	POLYBAG 30"X30"X0.04MM W/PUNCHTEAC DESIGN (CT-M341 TXT) FOR UNIT	PC	0	1.00000	0.1173	0.117300
826-221505-00	FOAM SHEET 22" X 15" X 0.5MM FOR UNIT	PC	0	2.00000	0.0658	0.131600
830-931301-02	STAND RUBBER FOOT (GREY) FOR SWIVEL STAND	PC	0	4.00000	0.1026	0.410400
884-881304-01	JACK COVER PLATE - TEAC DESIGN	PC	0	1.00000	0.0232	0.023200
884-931305-06	PRESET PLATE - TEAC DESIGN	PC	0	1.00000	0.0813	0.081300
889-931302-00	COVER PLATE (PAL)	PC	0	1.00000	0.0271	0.027100
889-931304-00	COVER PLATE - W/O BAND SW. ANDTACT SW. HOLE FOR REAR CAB.	PC	0	1.00000	0.0155	0.015500
900-931301-03	FRONT CABINET (A) - GREY(426U)	PC	0	1.00000	2.4056	2.405600
902-931301-00	REAR CABINET - MOULDED BLACK W/SINGLE SPEAKER (HIPS UL94V0)	PC	0	1.00000	2.4360	2.436000
917-931301-00	REMOTE LENS (A-A) TRANSLUCENT RED	PC	0	1.00000	0.0495	0.049500
919-931302-26	PRESET DOOR - TEAC DESIGN CT-M341TXT W/CABLE READY WORDING	PC	0	1.00000	0.1426	0.142600
930-931302-05	FRONT PANEL (A-B) (PAL) ABS GREY (426U) W/GOLD & SILVER SS FOR REAR CAB.	PC	0	1.00000	0.1217	0.121700
954-931301-00	STUD POST BLACK ABS FOR FRONT CABINET	PC	0	4.00000	0.0155	0.062000
959-931301-00	SWIVEL STAND MOULDED BLACK ABS	PC	0	1.00000	0.3666	0.366600
986-931301-06	NAME PLATE - TEAC DESIGN	PC	0	1.00000	0.0194	0.019400

ASSB PRICE : 94.810642

\*\* THIS SPARE LIST IS MADE FOR TECHNICAL / MAINTENANCE REFERENCE ONLY \*\*

Print Date : 11/09/97

PRODUCT CODE : 9313T1-240003-TV

Page Number : 5

DESCRIPTION : A-3 TEAC P/B W/SC./1P.TXT 240VSAA MONO 40P"RAINBOW"AUSTRALIA

Component Part	Description / Location	Unit	Subs	Quantity Required	Unit Price	Amount
*** ASSEMBLY : 180-9313T1-24-CP COM PART ASS'Y PAL/BG W/SCART/1P.TXT						
001-214189-05	FLYBACK TRANSFORMER 154-189H GOLDSTAR "FOR CAIHONG CRT" T402	PC	0	1.00000	6.1500	6.150000
012-102330-06	SEMI-FIXED RESISTOR EVND2AA 03B13 1KB VR601,602	PC	0	2.00000	0.0465	0.093000
012-102340-06	SEMI-FIXED RESISTOR EVND8AA 03B13 1KB VR402,501	PC	0	2.00000	0.0406	0.081200
012-103340-06	SEMI-FIXED RESISTOR EVND8AA 03B14 10KB VR202	PC	0	1.00000	0.0406	0.040600
012-502330-06	SEMI-FIXED RESISTOR EVND2AA 03B53 5KB VR603,604,605	PC	0	3.00000	0.0465	0.139500
012-502340-06	SEMI-FIXED RESISTOR EVND8AA 03B53 5KB VR201	PC	0	1.00000	0.0406	0.040600
012-503340-06	SEMI-FIXED RESISTOR EVND8AA 03B54 50KB VR101	PC	0	1.00000	0.0406	0.040600
101-191009-96	HORIZONTAL DRIVE TRANSFORMER (R1009) T401	PC	0	1.00000	0.2477	0.247700
101-288820-95	LINE FILTER 70MH T501	PC	0	1.00000	0.6658	0.665800
101-414025-94	SWITCHING POWER TRANSFORMER (HL4025B) T502	PC	0	1.00000	1.6839	1.683900
102-370600-02	TANK COIL / AFC COIL COILS L204 707851	PC	0	1.00000	0.0890	0.089000
105-100103-08	FIXED INDUCTOR COIL 10 UH +-10% AXIAL L102,205	PC	0	2.00000	0.0213	0.042600
105-109103-08	FIXED INDUCTIVE COIL 1.0UH +-10% (WITTIS) L201,208,209	PC	0	3.00000	0.0213	0.063900
105-181103-08	FIXED INDUCTOR COIL 180 UH +-10% AXIAL L601	PC	0	1.00000	0.0213	0.021300
105-201106-02	CHOKE COIL 200UH 10% CH9012- L502 201K (ELEC PRODUCT)	PC	0	1.00000	0.1374	0.137400
105-399103-08	FIXED INDUCTIVE COIL 3.9 UH +-10% (WITTIS) L901	PC	0	1.00000	0.0213	0.021300
105-479103-08	FIXED INDUCTIVE COIL 4.7 UH L105	PC	0	1.00000	0.0213	0.021300
105-650052-01	LINEARITY COIL 34UH FOR 21" CRT L401	PC	0	1.00000	0.3450	0.345000
105-689103-10	FIXED INDUCTIVE COIL 6.8UH +-10% AXIAL TYPE (FRUITRON) L203	PC	0	1.00000	0.0213	0.021300
107-105500-66	SOUND TRAP CERAMIC FILTER 5.5MHZ WEI HAW CF201	PC	0	1.00000	0.1219	0.121900
107-305500-16	SOUND BYPASS CERAMIC FILTER 5.5MHZ WEI HAW CF204	PC	0	1.00000	0.1200	0.120000
113-100105-17	CARBON FILM RESISTOR 10 OHM 1/4W +-5% R209	PC	0	1.00000	0.0028	0.002800
113-101105-17	CARBON FILM RESISTOR 100 OHM 1/4W +-5% R137,160,161,208,229,230,231,240,131,134,135,136	PC	0	12.00000	0.0028	0.033600
113-101105-17	CARBON FILM RESISTOR 100 OHM 1/4W +-5% R911,147,148,903	PC	0	4.00000	0.0028	0.011200

\*\* THIS SPARE LIST IS MADE FOR TECHNICAL / MAINTENANCE REFERENCE ONLY \*\*

Print Date : 11/09/97

PRODUCT CODE : 9313T1-240003-TV

Page Number : 6

DESCRIPTION : A-3 TEAC P/B W/SC./1P.TXT 240VSAA MONO 40P"RAINBOW"AUSTRALIA

Component Part	Description / Location	Unit	Subs	Quantity Required	Unit Price	Amount
113-102105-17	CARBON FILM RESISTOR 1K OHM 1/4W +-5% R106,138,139,157,216,221,225,233,275,905	PC	0	10.00000	0.0028	0.028000
113-102105-17	CARBON FILM RESISTOR 1K OHM 1/4W +-5% R254,255,281,294	PC	0	4.00000	0.0028	0.011200
113-102305-75	METAL OXIDE FILM RESISTOR 1K OHM 1W +-5% R432	PC	0	1.00000	0.0180	0.018000
113-103101-67	METAL FILM RESISTOR 10K OHM 1/4W +-1% R102	PC	0	1.00000	0.0093	0.009300
113-103105-17	CARBON FILM RESISTOR 10K OHM 1/4W +-5% R103,105,140,201,415,249,914,123,627,165	PC	0	10.00000	0.0028	0.028000
113-103105-17	CARBON FILM RESISTOR 10K OHM 1/4W +-5% R424,425,508,528,154,141,252,253	PC	0	8.00000	0.0028	0.022400
113-103305-75	METAL OXIDE FILM RESISTOR 10K OHM 1W +-5% R411	PC	0	1.00000	0.0180	0.018000
113-103405-75	METAL OXIDE FILM RESISTOR 10K OHM 2W +-5% R526	PC	0	1.00000	0.0229	0.022900
113-104105-17	CARBON FILM RESISTOR 100K OHM 1/4W +-5% R107,108,119,239,243,244	PC	0	6.00000	0.0028	0.016800
113-104205-12	CARBON FILM RESISTOR 100K OHM 1/2W +-5% R521	PC	0	1.00000	0.0062	0.006200
113-104305-75	METAL OXIDE FILM RESISTOR 100KOHM 1W +-5% R531	PC	0	1.00000	0.0180	0.018000
113-105105-17	CARBON FILM RESISTOR 1M OHM 1/4W +-5% R246	PC	0	1.00000	0.0028	0.002800
113-120305-75	METAL OXIDE FILM RESISTOR 12 OHM 1W +-5% R512	PC	0	1.00000	0.0180	0.018000
113-120405-75	METAL OXIDE FILM RESISTOR 12 OHM 2W +-5% R519	PC	0	1.00000	0.0229	0.022900
113-121105-17	CARBON FILM RESISTOR 120 OHM 1/4W +-5% R262	PC	0	1.00000	0.0028	0.002800
113-122105-17	CARBON FILM RESISTOR 1.2K OHM 1/4W +-5% R206,248,617,162	PC	0	4.00000	0.0028	0.011200
113-123105-17	CARBON FILM RESISTOR 12K OHM 1/4W +-5% R210,251	PC	0	2.00000	0.0028	0.005600
113-124105-17	CARBON FILM RESISTOR 120K OHM 1/4W +-5% R417	PC	0	1.00000	0.0028	0.002800
113-151105-17	CARBON FILM RESISTOR 150 OHM 1/4W +-5% R223	PC	0	1.00000	0.0028	0.002800
113-151305-75	METAL OXIDE FILM RESISTOR 150 OHM 1W +-5% R421	PC	0	1.00000	0.0180	0.018000
113-152105-17	CARBON FILM RESISTOR 1.5K OHM 1/4W +-5% R622,621,250	PC	0	3.00000	0.0028	0.008400
113-152205-12	CARBON FILM RESISTOR 1K5 OHM 1/2W +-5% R610,611,612,420	PC	0	4.00000	0.0062	0.024800
113-153105-17	CARBON FILM RESISTOR 15K OHM 1/4W +-5% R245,402	PC	0	2.00000	0.0028	0.005600
113-153405-75	METAL OXIDE FILM RESISTOR 15K OHM 2W +-5% R604,605,606	PC	0	3.00000	0.0229	0.068700
113-159405-42	NON-FLAMMABLE FUSE RESISTOR 1.5 OHM 2W +-5% R620	PC	0	1.00000	0.0648	0.064800

\*\* THIS SPARE LIST IS MADE FOR TECHNICAL / MAINTENANCE REFERENCE ONLY \*\*

Print Date : 11/09/97

PRODUCT CODE : 9313T1-240003-TV

Page Number : 7

DESCRIPTION : A-3 TEAC P/B W/SC./1P.TXT 240VSAA MONO 40P"RAINBOW"AUSTRALIA

Component Part	Description / Location	Unit	Subs	Quantity Required	Unit Price	Amount
113-180105-17	CARBON FILM RESISTOR 18 OHM 1/4 +- 5% R26A	PC	0	1.00000	0.0028	0.002800
113-181105-17	CARBON FILM RESISTOR 180 OHM 1/4W +-5% R222	PC	0	1.00000	0.0028	0.002800
113-182105-17	CARBON FILM RESISTOR 1.8K OHM 1/4W +-5% R506,602,274	PC	0	3.00000	0.0028	0.008400
113-183105-17	CARBON FILM RESISTOR 18K OHM 1/4W +-5% R721,418	PC	0	2.00000	0.0028	0.005600
113-184105-17	CARBON FILM RESISTOR 180K OHM 1/4W +-5% R120	PC	0	1.00000	0.0028	0.002800
113-184205-12	CARBON FILM RESISTOR 180K OHM 1/2W +-5% R410	PC	0	1.00000	0.0062	0.006200
113-202105-17	CARBON FILM RESISTOR 2K OHM 1/4W +-5% R433	PC	0	1.00000	0.0028	0.002800
113-221105-17	CARBON FILM RESISTOR 220 OHM 1/4W +-5% R142,238,213	PC	0	3.00000	0.0028	0.008400
113-221305-75	METAL OXIDE FILM RESISTOR 220 OHM 1W +-5% R419	PC	0	1.00000	0.0180	0.018000
113-222105-17	CARBON FILM RESISTOR 2.2K OHM 1/4W +-5% R130,224,151	PC	0	3.00000	0.0028	0.008400
113-222205-12	CARBON FILM RESISTOR 2.2K OHM 1/2W +-5% R715,437	PC	0	2.00000	0.0062	0.012400
113-223101-67	METAL FILM RESISTOR 22K OHM 1/4W +-1% R412,111	PC	0	2.00000	0.0093	0.018600
113-223105-17	CARBON FILM RESISTOR 22K OHM 1/4W +-5% R109,110,114,143,144,146,158,124,150,525,912,232	PC	0	12.00000	0.0028	0.033600
113-223105-17	CARBON FILM RESISTOR 22K OHM 1/4W +-5% R722,435	PC	0	2.00000	0.0028	0.005600
113-224105-17	CARBON FILM RESISTOR 220K OHM 1/4W +-5% R719	PC	0	1.00000	0.0028	0.002800
113-229205-12	CARBON FILM RESISTOR 2.2 OHM 1/2W +-5% R279	PC	0	1.00000	0.0062	0.006200
113-229305-75	METAL OXIDE FILM RESISTOR 2.2 OHM 1W +-5% R426	PC	0	1.00000	0.0180	0.018000
113-229405-75	METAL OXIDE FILM RESISTOR 2.2 OHM 2W +-5% R503	PC	0	1.00000	0.0229	0.022900
113-270405-75	METAL OXIDE FILM RESISTOR 27 OHM 2W +-5% R513	PC	0	1.00000	0.0229	0.022900
113-272105-17	CARBON FILM RESISTOR 2.7K OHM 1/4W +-5% R618,613,614,615,616	PC	0	5.00000	0.0028	0.014000
113-272205-12	CARBON FILM RESISTOR 2.7K OHM 1/2W +-5% R403,520	PC	0	2.00000	0.0062	0.012400
113-273105-17	CARBON FILM RESISTOR 27K OHM 1/4W +-5% R211,241,902	PC	0	3.00000	0.0028	0.008400
113-331105-17	CARBON FILM RESISTOR 330 OHM 1/4W +-5% R509	PC	0	1.00000	0.0028	0.002800
113-332101-67	METAL FILM RESISTOR 3.3K OHM 1/4W +-1% R266	PC	0	1.00000	0.0093	0.009300
113-332102-17	CARBON FILM RESISTOR 3.3K OHM 1/4W +-2% R505	PC	0	1.00000	0.0045	0.004500

\*\* THIS SPARE LIST IS MADE FOR TECHNICAL / MAINTENANCE REFERENCE ONLY \*\*

Print Date : 11/09/97

PRODUCT CODE : 9313T1-240003-TV

Page Number : 8

DESCRIPTION : A-3 TEAC P/B W/SC./1P.TXT 240VSAA MONO 40P"RAINBOW"AUSTRALIA

Component Part	Description / Location	Unit	Subs	Quantity Required	Unit Price	Amount
113-332105-17	CARBON FILM RESISTOR 3.3K OHM 1/4W +-5% R152,153,235,269,901	PC	0	5,00000	0,0028	0,014000
113-332605-75	METAL OXIDE FILM RESISTOR 3K3 OHM 5W +-5% R406	PC	0	1,00000	0,1005	0,100500
113-333105-17	CARBON FILM RESISTOR 33K OHM 1/4W +-5% R416,125	PC	0	2,00000	0,0028	0,005600
113-334305-75	METAL OXIDE FILM RESISTOR 330KOHM 1W +-5% R514	PC	0	1,00000	0,0180	0,018000
113-338405-75	METAL OXIDE FILM RESISTOR 0.330OHM 2W +-5% R516	PC	0	1,00000	0,0229	0,022900
113-339105-17	CARBON FILM RESISTOR 3.3 OHM 1/4W +- 5% R720	PC	0	1,00000	0,0028	0,002800
113-339405-42	NON-FLAMMABLE FUSE RESISTOR 3.3 OHM 2W +-5% R716	PC	0	1,00000	0,0648	0,064800
113-339405-75	METAL OXIDE FILM RESISTOR 3.3 OHM 2W +-5% R427	PC	0	1,00000	0,0229	0,022900
113-390605-75	METAL OXIDE FILM RESISTOR 39 OHM 5W +-5% R517	PC	0	1,00000	0,1005	0,100500
113-391105-17	CARBON FILM RESISTOR 390 OHM 1/4W +-5% R607,608,609,112	PC	0	4,00000	0,0028	0,011200
113-391305-75	METAL OXIDE FILM RESISTOR 390 1W +-5% R270	PC	0	1,00000	0,0180	0,018000
113-392105-17	CARBON FILM RESISTOR 3.9K OHM 1/4W +-5% R414	PC	0	1,00000	0,0028	0,002800
113-470105-17	CARBON FILM RESISTOR 47 OHM 1/4W +-5% R204,220	PC	0	2,00000	0,0028	0,005600
113-470205-12	CARBON FILM RESISTOR 47 OHM 1/2W +-5% R405	PC	0	1,00000	0,0062	0,006200
113-470405-75	METAL OXIDE FILM RESISTOR 47 OHM 2W +-5% R530	PC	0	1,00000	0,0229	0,022900
113-471105-17	CARBON FILM RESISTOR 470 OHM 1/4W +-5% R601	PC	0	1,00000	0,0028	0,002800
113-472105-17	CARBON FILM RESISTOR 4.7K OHM 1/4W +-5% R228,205,267,247,422,511,906,907	PC	0	8,00000	0,0028	0,022400
113-473105-17	CARBON FILM RESISTOR 47K OHM 1/4W +-5% R203,159,149,277,626	PC	0	5,00000	0,0028	0,014000
113-479605-51	WIRE WOUND CEMENT RES. 4.7 OHMSW +-5% R502	PC	0	1,00000	0,1355	0,135500
113-560105-17	CARBON FILM RESISTOR 56 OHM 1/4W +-5% R625,260	PC	0	2,00000	0,0028	0,005600
113-561105-17	CARBON FILM RESISTOR 560 OHM 1/4W +-5% R298,299,910,909,908	PC	0	5,00000	0,0028	0,014000
113-562105-17	CARBON FILM RESISTOR 5.6K OHM 1/4W +-5% R723,724	PC	0	2,00000	0,0028	0,005600
113-563105-17	CARBON FILM RESISTOR 56K OHM 1/4W +-5% R713	PC	0	1,00000	0,0028	0,002800
113-565210-92	CARBON COMPOSITION RESISTOR 5.6M OHM 1/2W +-10% R523,524	PC	0	2,00000	0,0600	0,120000
113-681105-17	CARBON FILM RESISTOR 680 OHM 1/4W +-5% R156	PC	0	1,00000	0,0028	0,002800

\*\* THIS SPARE LIST IS MADE FOR TECHNICAL / MAINTENANCE REFERENCE ONLY \*\*

Print Date : 11/09/97

PRODUCT CODE : 9313T1-240003-TV

Page Number : 9

DESCRIPTION : A-3 TEAC P/B W/SC./1P.TXT 240VSAA MONO 40P"RAINBOW"AUSTRALIA

Component Part	Description / Location	Unit	Subs	Quantity Required	Unit Price	Amount
113-682102-17	CARBON FILM RESISTOR 6.8K OHM 1/4W +-2% R504	PC	0	1.00000	0.0048	0.004800
113-682105-17	CARBON FILM RESISTOR 6.8K OHM 1/4W +-5% R510,227,280,115,712,436,278	PC	0	7.00000	0.0028	0.019600
113-683101-67	METAL FILM RESISTOR 68K OHM 1/4W +-1% R202	PC	0	1.00000	0.0093	0.009300
113-688205-42	FUSING RESISTOR 0.68 OHM 1/2W +-5% R518	PC	0	1.00000	0.0435	0.043500
113-688305-42	FUSING RESISTOR 0.68 OHM 1W +-5% R529,408,409	PC	0	3.00000	0.0648	0.194400
113-750105-17	CARBON FILM RESISTOR 75 OHM 1/4W +-5% R257,258,259,261,226	PC	0	5.00000	0.0028	0.014000
113-820105-17	CARBON FILM RESISTOR 82 OHM 1/4W +-5% R199	PC	0	1.00000	0.0028	0.002800
113-821105-17	CARBON FILM RESISTOR 820 OHM 1/4W +-5% R212	PC	0	1.00000	0.0028	0.002800
113-822105-17	CARBON FILM RESISTOR 8.2K OHM 1/4W +-5% R507,276,273,113	PC	0	4.00000	0.0028	0.011200
113-823105-17	CARBON FILM RESISTOR 82K OHM 1/4W +-5% R237	PC	0	1.00000	0.0028	0.002800
113-824105-17	CARBON FILM RESISTOR 820K OHM 1/4W +-5% R242,264	PC	0	2.00000	0.0028	0.005600
114-210200-01	THERMISTOR (NICHICON ZPB53 BL 200C) R501	PC	0	1.00000	0.4258	0.425800
123-100340-93	CERAMIC CAP. 10 PF 50V +-5% (NPO) C902	PC	0	1.00000	0.0112	0.011200
123-101350-60	CERAMIC CAP. 100 PF 50V +-10% (SL TYPE) "SMART GOOD" C116,117,118,119,121	PC	0	5.00000	0.0137	0.068500
123-102350-90	CERAMIC CAP. 0.001 MFD 50V +-10% (B TYPE) C207,215,210,235,236,417,401,904	PC	0	8.00000	0.0103	0.082400
123-102850-10	CERAMIC CAP. 0.001 MFD 2KV +-10% MATSUSHITA C604,405	PC	0	2.00000	0.0888	0.177600
123-103370-90	CERAMIC CAP. 0.01 MFD 50V +80 -20% C120,208,209,125,757	PC	0	5.00000	0.0099	0.049500
123-104270-90	CERAMIC CAP. 0.1 MFD 25V +80 -20% C110,111,112,127,226,227,228,231,244,242,748	PC	0	11.00000	0.0379	0.416900
123-104270-90	CERAMIC CAP. 0.1 MFD 25V +80 -20% C245,246,258,263,427,429,430,519,520,734,750	PC	0	11.00000	0.0379	0.416900
123-104270-90	CERAMIC CAP. 0.1 MFD 25V +80 -20% C901,905,906,907,908,910	PC	0	6.00000	0.0379	0.227400
123-122850-10	CERAMIC CAP. 0.0012 2KV +-10% C433	PC	0	1.00000	0.1028	0.102800
123-130340-93	CERAMIC CAP. 13PF 50V +-5% (NPO) C249	PC	0	1.00000	0.0119	0.011900
123-150340-93	CERAMIC CAP. 15 PF 50V +-5% (NPO) C214,903	PC	0	2.00000	0.0114	0.022800
123-221350-60	CERAMIC CAP. 220 PF 50V +-10% (SL TYPE) C601,602,603	PC	0	3.00000	0.0113	0.033900
123-221551-90	CERAMIC CAP. 220 PF 500V +-10% MATSUSHITA C513	PC	0	1.00000	0.0341	0.034100



\*\* THIS SPARE LIST IS MADE FOR TECHNICAL / MAINTENANCE REFERENCE ONLY \*\*

Print Date : 11/09/97                      PRODUCT CODE : 9313T1-240003-TV  
 Page Number : 10                            DESCRIPTION : A-3 TEAC P/B W/SC./1P.TXT 240VSAA MONO 40P"RAINBOW"AUSTRALIA

Component Part	Description / Location	Unit	Subs	Quantity Required	Unit Price	Amount
123-222350-90	CERAMIC CAP, 0.0022 MFD 50V +-10% (B TYPE) C128	PC	0	1.00000	0.0106	0.010600
123-222466-50	CERAMIC CAP, 0.0022 MFD 400VAC+-20% ECKDNA222ME "MATSUSHITA" CS12,523	PC	0	2.00000	0.1394	0.278800
123-222850-10	CERAMIC CAP, 0.0022 MFD 2KV +-10% MATSUSHITA C440,511,402	PC	0	3.00000	0.1481	0.444300
123-223370-90	CERAMIC CAP, 0.022 MFD 50V +80-20% C211,261,234,237,250,256,232,243	PC	0	8.00000	0.0105	0.084000
123-270340-93	CERAMIC CAP, 27PF 50V +-5% (NPO) C122,123	PC	0	2.00000	0.0114	0.022800
123-470340-93	CERAMIC CAP, 47 PF 50V +-5% (NPO) C217	PC	0	1.00000	0.0118	0.011800
123-471350-60	CERAMIC CAP, 470 PF 50V +-10% (SL TYPE) C758,759	PC	0	2.00000	0.0169	0.033800
123-472550-90	CERAMIC CAP, 0.0047 MFD 500V +-10% (B TYPE) C410,411,515	PC	0	3.00000	0.0993	0.297900
123-472552-90	CERAMIC CAP, 0.0047 MFD 500V +-10% (B TYPE) SMALL SIZE CS03,504,505	PC	0	3.00000	0.0445	0.133500
123-681350-90	CERAMIC CAP, 680 PF 50V +-10% (B TYPE) C423	PC	0	1.00000	0.0097	0.009700
123-821850-10	CERAMIC CAP, 820 PF 2KV +-10% (SL TYPE) MATSUSHITA CS16	PC	0	1.00000	0.0697	0.069700
126-104071-01	MYLAR CAP, 0.1 MFD 50V +-10% C218,416,510,255	PC	0	4.00000	0.0271	0.108400
126-104101-31	POLYPROPYLENE CAP, 0.1 MFD 100V +-10% C412	PC	0	1.00000	0.1074	0.107400
126-222071-01	MYLAR CAP, 0.0022 MFD 50V +-10% C114,754,251	PC	0	3.00000	0.0122	0.036600
126-223071-01	MYLAR CAP, 0.022 MFD 50V +-10% C220,909	PC	0	2.00000	0.0151	0.030200
126-224071-01	MYLAR CAP 0.22 MFD 50V +-10% C102,201,752,418,101	PC	0	5.00000	0.0447	0.223500
126-332161-41	METALIZED POLYPROPYLENE CAP, 0.0033 MFD 1600V +-10% C404	PC	0	1.00000	0.2235	0.223500
126-333071-01	MYLAR CAP, 0.033 MFD 50V +-10% CS07	PC	0	1.00000	0.0163	0.016300
126-392071-01	MYLAR CAP, 0.0039 MFD 50V +-10% C213	PC	0	1.00000	0.0122	0.012200
126-472071-01	MYLAR CAP, 0.0047 MFD 50V +-10% C247,253,254,736,421,422	PC	0	6.00000	0.0122	0.073200
126-473071-01	MYLAR CAP, 0.047 MFD 50V +-10% C223,224	PC	0	2.00000	0.0219	0.043800
126-473201-31	POLYPROPYLENE CAP, 0.047 MFD 200V +-10% C441,403	PC	0	2.00000	0.0801	0.160200
126-473222-41	METALIZED POLYPROPYLENE CAP, 0.047 MFD 275V +-20% "OKAYA" CS02,501	PC	0	2.00000	0.1350	0.270000
126-474071-01	MYLAR CAP, 0.47 MFD 50V +-10% C222	PC	0	1.00000	0.0705	0.070500
126-474201-31	POLYPROPYLENE CAP 0.47 MFD 200V +-10% C413	PC	0	1.00000	0.2639	0.263900

\*\* THIS SPARE LIST IS MADE FOR TECHNICAL / MAINTENANCE REFERENCE ONLY \*\*

Print Date : 11/09/97

PRODUCT CODE : 9313T1-240003-TV

Page Number : 11

DESCRIPTION : A-3 TEAC P/B W/SC./1P.TXT 240VSAA MONO 40P"RAINBOW"AUSTRALIA

Component Part	Description / Location	Unit	Subs	Quantity Required	Unit Price	Amount
127-105071-05	ELECT CAP. 1 MFD 50V +-10% (TIME CONSTANT) C419	PC	0	1.00000	0.0590	0.059000
127-105072-03	ELECT. CAP. 1 MFD 50V +-20% C202,203,204,225,230,252,749,426,518	PC	0	9.00000	0.0203	0.182700
127-105132-03	ELECT. CAP. 1 MFD 160V +-20% C414	PC	0	1.00000	0.0465	0.046500
127-106042-03	ELECT. CAP. 10 MFD 16V +-20% C104,105,273,219,229,260,124,264	PC	0	8.00000	0.0203	0.162400
127-106104-03	ELECT CAP. 10 MFD 100V +-20% 105°C C509	PC	0	1.00000	0.0561	0.056100
127-106252-03	ELECT. CAP. 10 MFD 250V +-20% C407	PC	0	1.00000	0.1355	0.135500
127-107042-03	ELECT. CAP. 100 MFD 16V +-20% C431,432,521,428,605	PC	0	5.00000	0.0348	0.174000
127-107062-03	ELECT. CAP. 100 MFD 35V +-20% C425	PC	0	1.00000	0.0523	0.052300
127-107132-03	ELECT. CAP. 100 MFD 160V +-20%"NICHICON" C408	PC	0	1.00000	0.3290	0.329000
127-107402-03	ELECT. CAP. 100 MFD 400V +-20% C506	PC	0	1.00000	0.9677	0.967700
127-108052-03	ELECT. CAP. 1000 MFD 25V +-20% C406,733	PC	0	2.00000	0.1452	0.290400
127-225042-23	ELECT. CAP. BIPOLAR 2.2MFD 16V+-20% C216	PC	0	1.00000	0.0658	0.065800
127-225072-03	ELECT. CAP 2.2 MFD 50V +-20% C205,126,259,262,257	PC	0	5.00000	0.0203	0.101500
127-226042-03	ELECT. CAP. 22 MFD 16V +-20% C109,753	PC	0	2.00000	0.0203	0.040600
127-227042-03	ELECT. CAP. 220 MFD 16V +-20% C221	PC	0	1.00000	0.0561	0.056100
127-227062-03	ELECT. CAP. 220 MFD 35V +-20% C424,514	PC	0	2.00000	0.0716	0.143200
127-228052-03	ELECT. CAP. 2200 MFD 25V +-20% C420	PC	0	1.00000	0.3097	0.309700
127-336132-03	ELECT CAP. 33 MFD 160V +-20% C517	PC	0	1.00000	0.1742	0.174200
127-475052-03	ELECT. CAP. 4.7 MFD 25V +-20% C607	PC	0	1.00000	0.0203	0.020300
127-476042-03	ELECT. CAP. 47 MFD 16V +-20% C206,233,265,266,267,212,911	PC	0	7.00000	0.0290	0.203000
127-476072-03	ELECT. CAP. 47 MFD 50V +-20% C436	PC	0	1.00000	0.0406	0.040600
127-476072-07	ELECT.CAP. 47 MFD 50V +-20% NICHICON C745	PC	0	1.00000	0.0406	0.040600
127-476094-07	ELECT CAP. 47 MFD 63V +-20% 105°C "NICHICON" C508	PC	0	1.00000	0.0639	0.063900
127-477042-03	ELECT. CAP. 470 MFD 16V +-20% C606	PC	0	1.00000	0.0716	0.071600
127-477062-03	ELECT CAP. 470 MFD 35V +-20% C434,751	PC	0	2.00000	0.1161	0.232200

\*\* THIS SPARE LIST IS MADE FOR TECHNICAL / MAINTENANCE REFERENCE ONLY \*\*

Print Date : 11/09/97                      PRODUCT CODE : 9313T1-240003-TV  
 Page Number : 12                            DESCRIPTION : A-3 TEAC P/B W/SC./1P.TXT 240VSAA MONO 40P"RAINBOW"AUSTRALIA

Component Part	Description / Location	Unit	Subs	Quantity Required	Unit Price	Amount
130-130146-00	SILICON DIODE 1SS146 ROHM D601,602,603	PC	0	3,00000	0,0252	0,075600
130-130176-60	SILICON DIODE 1SS176FA TOSHIBA D604	PC	0	1,00000	0,0202	0,020200
130-134148-01	SILICON DIODE IN4148 D101,102,105,111,112,113,116,208,210,408,217,114	PC	0	12,00000	0,0085	0,102000
130-134148-01	SILICON DIODE IN4148 D103,117,118,130,209,605,606,607,121,129,133,134	PC	0	12,00000	0,0085	0,102000
130-134148-01	SILICON DIODE IN4148 D134	PC	0	1,00000	0,0085	0,008500
130-310012-50	DIODE BAX12A D407	PC	0	1,00000	0,0451	0,045100
130-310033-50	DIODE BYD33D D403,404,405,510	PC	0	4,00000	0,0590	0,236000
130-310062-50	DIODE BAW 62 D203,204,205,206,401,402	PC	0	6,00000	0,0085	0,051000
130-310095-50	DIODE BYW95B DS11	PC	0	1,00000	0,1738	0,173800
130-310133-50	DIODE BYD33J D406,507,508,509	PC	0	4,00000	0,0726	0,290400
130-311441-64	BRIDGE RECTIFIER 1J4B41                      TOSHIBA DS01	PC	0	1,00000	0,3450	0,345000
130-410039-01	ZENER DIODE 3,9V D211	PC	0	1,00000	0,0218	0,021800
130-410051-01	ZENER DIODE 5,1V 1/2W +-5% D212	PC	0	1,00000	0,0218	0,021800
130-410075-01	ZENER DIODE 7,5V 1/2W D213	PC	0	1,00000	0,0218	0,021800
130-410082-01	ZENER DIODE 8,2V DS05	PC	0	1,00000	0,0218	0,021800
130-410120-02	ZENER DIODE 12V HZ12A2 D608	PC	0	1,00000	0,0218	0,021800
130-410200-40	ZENER DIODE 20V D410	PC	0	1,00000	0,0218	0,021800
130-410574-00	ZENER DIODE UPC 574J NEC U502	PC	0	1,00000	0,1355	0,135500
130-411091-01	ZENER DIODE 9,1V DS06	PC	0	1,00000	0,0218	0,021800
130-512044-00	LED 3MM RED 204HDC FOR LED 601	PC	0	1,00000	0,0252	0,025200
131-111402-03	TRANSISTOR ED1402C Q102,103,104,105,202,208,207,211,210,209,606	PC	0	11,00000	0,0219	0,240900
131-111602-03	TRANSISTOR ED1602C (PHILIPS) Q106,107,108,404	PC	0	4,00000	0,0219	0,087600
131-170547-02	TRANSISTOR BC547B PHILIPS Q501,503	PC	0	2,00000	0,0219	0,043800
131-170548-02	TRANSISTOR BC 548B PHILIPS, Q204,205,901	PC	0	3,00000	0,0219	0,065700
131-170557-02	TRANSISTOR BC 557B PHILIPS Q502	PC	0	1,00000	0,0219	0,021900

\*\* THIS SPARE LIST IS MADE FOR TECHNICAL / MAINTENANCE REFERENCE ONLY \*\*

Print Date : 11/09/97                      PRODUCT CODE : 9313T1-240003-TV  
 Page Number : 13                              DESCRIPTION : A-3 TEAC P/B W/SC./1P.TXT 240VSAA MONO 40P"RAINBOW"AUSTRALIA

Component Part	Description / Location	Unit	Subs	Quantity Required	Unit Price	Amount
131-170558-02	TRANSISTOR BC 558B PHILIPS Q604	PC	0	1.00000	0.0219	0.021900
131-190370-00	TRANSISTOR BF 370 PHILIPS, Q201	PC	0	1.00000	0.0705	0.070500
131-190422-00	TRANSISTOR BF422 PHILIPS Q601,602,603	PC	0	3.00000	0.0720	0.216000
131-202508-62	TRANSISTOR BU 2508 DF PHILIPS Q402	PC	0	1.00000	0.9290	0.929000
131-232482-00	TRANSISTOR 2SC2482 TOSHIBA Q401,605	PC	0	2.00000	0.0871	0.174200
131-241545-00	TRANSISTOR 2SD1545 TOSHIBA Q504	PC	0	1.00000	1.0200	1.020000
131-265401-00	TRANSISTOR 2N 5401 PHILIPS Q506	PC	0	1.00000	0.0501	0.050100
131-265551-00	TRANSISTOR 2N 5551 PHILIPS Q505	PC	0	1.00000	0.0501	0.050100
131-370135-00	TRANSISTOR BD 135 PHILIPS Q701	PC	0	1.00000	0.1223	0.122300
131-462369-00	TRANSISTOR PH2369 PHILIPS Q101	PC	0	1.00000	0.0639	0.063900
131-480011-00	TRANSISTOR BUT 11 PHILIPS Q507	PC	0	1.00000	0.4045	0.404500
133-103221-33	IC CTV322SV2.0/PCA84C641P/068 PHILIPS U101	PC	0	1.00000	4.0448	4.044800
133-104665-33	I.C. TDA4665 (PHILIPS IC) U202	PC	0	1.00000	1.4381	1.438100
133-128361-33	I.C. TDA8361/N5 PHILIPS U201	PC	0	1.00000	4.4942	4.494200
133-201013-33	I.C. TDA1013B PHILIPS U705	PC	0	1.00000	0.6000	0.600000
133-203653-33	I.C. TDA3653B PHILIPS U401	PC	0	1.00000	0.5694	0.569400
133-207805-31	I.C. L7805CV SGS U501	PC	0	1.00000	0.2090	0.209000
133-207808-31	IC L7808C-V SGS-THOMSON U405	PC	0	1.00000	0.2090	0.209000
133-207812-31	IC L7812CV SGS-THOMSON U402	PC	0	1.00000	0.2090	0.209000
133-304241-33	I.C. 74HCT241N PHILIPS U902	PC	0	1.00000	0.3147	0.314700
133-404053-33	I.C. HEF4053BP PHILIPS U204	PC	0	1.00000	0.2247	0.224700
136-500001-00	REMOTE RECEIVER (KODENSHI      HC-SZ01) OPT601	PC	0	1.00000	0.8477	0.847700
137-100000-31	CRYSTAL 10 MHZ HOORAY X101	PC	0	1.00000	0.3097	0.309700
137-270000-33	CRYSTAL 27 MHZ 16PF "GIC" X901	PC	0	1.00000	0.3097	0.309700
137-443619-21	CRYSTAL 4.433619 MHZ HC-49U      16PF "GIC" X201	PC	0	1.00000	0.2903	0.290300

\*\* THIS SPARE LIST IS MADE FOR TECHNICAL / MAINTENANCE REFERENCE ONLY \*\*

Print Date : 11/09/97                      PRODUCT CODE : 9313T1-240003-TV  
 Page Number : 14                              DESCRIPTION : A-3 TEAC P/B W/SC./1P.TXT 240VSAA MONO 40P"RAINBOW"AUSTRALIA

Component Part	Description / Location	Unit	Subs	Quantity Required	Unit Price	Amount
146-100002-13	TACT SWITCH KSM0634A HDK S10,S11,S12,S15,S16,S17,S2,S22	PC	0	8.00000	0.0542	0.433600
146-100006-14	POWER SWITCH PS5E-B                      "CHINA LANDMARK" SW501	PC	0	1.00000	1.0161	1.016100
160-101001-08	PIN CONNECTOR 1 PIN PLUG                  STRAIGHT FOR CN601,501,502	PC	0	3.00000	0.0135	0.040500
160-102805-08	PIN CONNECTOR 2 PIN PLUG                  STRAIGHT CN503	PC	0	1.00000	0.0271	0.027100
160-104805-08	PIN CONNECTOR 4 PIN PLUG                  STRAIGHT CN401	PC	0	1.00000	0.0515	0.051500
160-106255-27	PIN CONNECTOR 6 PINS WAFER              (SHS) S11-W CN201	PC	0	1.00000	0.0279	0.027900
161-540105-00	CRT SOCKET ISL-01 IN CHANG SK601	PC	0	1.00000	0.6194	0.619400
161-683702-22	21 PIN SOCKET SK201	PC	0	1.00000	0.2903	0.290300
172-620005-40	UL 1007 TOP COAT WIRE AWG 20              50MM BLACK 5 X 5MM FROM U705 PIN '1' TO PIN '9'	PC	0	1.00000	0.0036	0.003600
172-620012-40	UL 1007 TOP COAT WIRE AWG 20              120MM BLACK 10 X 10 MM MAIN P.C.B. 'E1' TO 'E2'	PC	0	1.00000	0.0078	0.007800
172-620020-40	UL 1007 TOP COAT WIRE AWG 20              200MM BLACK 10 X 10 MM FROM CRT FLAT BRIDED WIRE TO TUNER GND	PC	0	1.00000	0.0126	0.012600
172-620036-40	UL 1007 TOP COAT WIRE AWG 20              360MM BLACK 10 X 10MM MAIN PCB 'GND' TO CRT 'GND'	PC	0	1.00000	0.0222	0.022200
172-626008-40	UL 1007 TOP COAT WIRE AWG 26              80MM BLACK 10 X 10 MM Q402 LUG TO PCB 'K',Q504 LUG TO PCB 'L'	PC	0	3.00000	0.0026	0.007800
172-626008-40	UL 1007 TOP COAT WIRE AWG 26              80MM BLACK 10 X 10 MM U401 LUG TO PCB 'M'	PC	0	0.00000	0.0026	0.000000
172-626018-42	UL 1007 TOP COAT WIRE AWG 26              180MM RED 10 X 10 MM MAIN P.C.B. 'W1' TO 'W2', 'M1' TO 'M2', 'P1' TO 'P1'	PC	0	3.00000	0.0051	0.015300
172-626026-42	UL 1007 TOP COAT WIRE AWG 26              260MM RED MAIN PCB 'C1' TO 'C3', 'R1' TO 'R2'	PC	0	2.00000	0.0071	0.014200
172-626030-42	UL 1007 TOP COAT WIRE AWG 26              300MM RED MAIN PCB '01' TO '02'	PC	0	1.00000	0.0081	0.008100
172-626036-43	UL 1007 TOP COAT WIRE AWG 26              360MM ORANGE 10 X 10MM MAIN PCB 'F,F' TO CRT PCB 'F,F',MAIN PCB 'P2' TO 'P2'	PC	0	2.00000	0.0096	0.019200
172-626036-44	UL 1007 TOP COAT WIRE AWG 26              360MM YELLOW 10 X 10MM MAIN PCB '180V' TO CRT PCB '180V'	PC	0	1.00000	0.0096	0.009600
172-726000-99	BARE WIRE 54MM J001-004,006-021,023-031,033-051,053-057,107	M	0	5.00000	0.0093	0.046500
172-726000-99	BARE WIRE 54MM J059-060,064-072,075-080,087-088,096-098,101-102	M	0	0.00000	0.0093	0.000000
172-726000-99	BARE WIRE 54MM J104,106,108-113,116-118,124-125,135,601	M	0	0.00000	0.0093	0.000000
172-830080-99	FLAT BRIDED WIRE 1200MM CRT GROUND	M	0	1.20000	0.1374	0.164880
177-655203-02	2 PIN FLAT CABLE L=200MM MAIN PCB 'S1' TO 'S1', 'S2' TO 'S2'	PC	0	1.00000	0.0201	0.020100
177-655263-05	5 PIN FLAT CABLE WIRE CN202 '1' TO CN203 '1',CN202 '2' TO CN203 '2'	PC	0	1.00000	0.0591	0.059100

\*\* THIS SPARE LIST IS MADE FOR TECHNICAL / MAINTENANCE REFERENCE ONLY \*\*

Print Date : 11/09/97

PRODUCT CODE : 9313T1-240003-TV

Page Number : 15

DESCRIPTION : A-3 TEAC P/B W/SC./1P.TXT 240VSAA MONO 40P"RAINBOW"AUSTRALIA

Component Part	Description / Location	Unit	Subs	Quantity Required	Unit Price	Amount
177-655263-05	5 PIN FLAT CABLE WIRE CN202 '3' TO CN203 '3',CN202 '4' TO CN203 '4'	PC	0	0.00000	0.0591	0.000000
177-655263-05	5 PIN FLAT CABLE WIRE CN202 '5' TO CN203 '5'	PC	0	0.00000	0.0591	0.000000
179-001010-00	OIL SLEEVING 1 MM DIA, L=210MM FOR D511,BR501,C201,R516,406,26A,R433	M	0	0.21000	0.0774	0.016254
179-001010-00	OIL SLEEVING 1 MM DIA, R437,R427,20MM FOR R716,R526,R426	M	0	0.00000	0.0774	0.000000
179-001020-00	OIL SLEEVING 2MM DIA, 40MM FOR 'F,F', 100MM FOR 'E1' TO 'E2'	PC	0	0.14000	0.0001	0.000014
179-105000-00	UL PVC TUBE 5MM DIA L=120MM FOR AC LINE CORD, 120MM FOR (X)(Y) WIRE	M	0	0.24000	0.1877	0.045048
179-107300-00	UL PVC TUBE 7.3MM DIA, 220MM FOR 'X','Y'	PC	0	0.22000	0.0643	0.014146
179-110500-00	UL PVC TUBE 11MM DIA, L=50MM FOR AC LINE CORD	M	0	0.05000	0.5535	0.027675
179-405030-00	5 MM DIA SHRINKABLE TUBE 60MM FOR AC LINE CORD,60MM FOR (X)(Y) WIRE	M	0	0.16000	0.4065	0.065040
179-405030-00	5 MM DIA SHRINKABLE TUBE 20MM FOR R202,203	M	0	0.00000	0.4065	0.000000
182-222000-03	FUSE T2A 250V F501	PC	0	1.00000	0.0968	0.096800
190-931301-07	SENSOR P.C.B. (191194)	PC	0	1.00000	0.0600	0.060000
190-931302-P0	CRT P.C.B. (170496)	PC	0	1.00000	0.2187	0.218700
190-931316-P1	MAIN P.C.B. (130697)	PC	0	1.00000	2.1426	2.142600
191-100034-09	1 PIN SOCKET ASSM'Y L=220MM CRT GND TO CN601	PC	0	1.00000	0.0350	0.035000
191-101016-07	1 PIN DOUBLE INSOLATION WIRE AWG 18 L=340MM BLUE MAIN PCB 'X1' TO CN502	PC	0	1.00000	0.1084	0.108400
191-101017-07	1 PIN DOUBLE INSOLATION WIRE AWG 18 L=340MM BROWN MAIN PCB 'Y1' TO CNS01	PC	0	1.00000	0.1084	0.108400
191-600036-09	6 PIN SOCKET ASS'Y UL 1007 AWG26 360MM CN201 1 TO F,2 TO A,3 TO B,4 TO C,5 TO D,6 TO E	PC	0	1.00000	0.1202	0.120200
504-305006-10	MACHINE SCREW 3 X 6 B/M (WHITE) U402,405,501	PC	0	3.00000	0.0013	0.003900
504-305012-10	MACHINE SCREW 3 X 12 B/M FOR HEAT SINK (B)	PC	0	1.00000	0.0019	0.001900
514-400425-10	SELF-TAPPING SCREW 4 X 25 B/T (HARDEN) REAR CAB. TO FRONT CAB.	PC	0	6.00000	0.0095	0.057000
514-500435-10	SELF-TAPPING SCREW B/T 5 X 35 HEAD DIA. =8.5MM (MAX)(HARDEN) 4 FOR CRT MTG.	PC	0	4.00000	0.0174	0.069600
515-303408-10	SELF-TAPPING SCREW 3 X 8 W/B/T (HARDEN) FOR FRONT CABINET TO FRONT PANEL	PC	0	1.00000	0.0033	0.003300
517-303312-10	SELF-TAPPING SCREW 3 X 12 W/A W/H=7MM (HARDEN) FOR HEAT SINK (A) & (C)	PC	0	2.00000	0.0033	0.006600
520-305025-55	NUT M3 T=2.5 OD=5.5 FOR HEAT SINK (B)	PC	0	1.00000	0.0025	0.002500
540-020030-01	EYELET 2 X 3 MM 4-T501,1-QS04'C',2-R432,2-L401,2-T402'1','2'	PC	0	12.00000	0.0010	0.012000

\*\* THIS SPARE LIST IS MADE FOR TECHNICAL / MAINTENANCE REFERENCE ONLY \*\*

Print Date : 11/09/97

PRODUCT CODE : 9313T1-240003-TV

Page Number : 16

DESCRIPTION : A-3 TEAC P/B W/SC./1P.TXT 240VSAA MONO 40P"RAINBOW"AUSTRALIA

Component Part	Description / Location	Unit	Subs	Quantity Required	Unit Price	Amount
540-020030-01	EYELET 2 X 3 MM 1-Q402'C'	PC	0	0.00000	0.0010	0.000000
540-025040-01	BRASS EYELET 2.5X4MM FOR C506	PC	0	2.00000	0.0011	0.002200
580-101004-00	STAND OFF TWIST TIE #ST-3 FOR 2 DOUBLE INSULATION WIRE	PC	0	1.00000	0.0422	0.042200
580-101261-01	CABLE TIE L=100MM 1-FBT, 5-CRT P.C.B., 2-DV, 3-POWER SW	PC	0	17.00000	0.0032	0.054400
580-101261-01	CABLE TIE L=100MM 1- MAIN BOARD WIRE	PC	0	0.00000	0.0032	0.000000
580-101261-01	CABLE TIE L=100MM 4-MAIN BOARD WIRE, 1-E1 TO E2 WIRE	PC	0	0.00000	0.0032	0.000000
622-882802-00	FELT L240 X W17 X T0.5MM W/TAPE FOR REAR CAB.	PC	0	4.00000	0.0619	0.247600
631-932001-00	FIBER (FOR SHIELD PLATE) (SAMSUNG TUNER)	PC	0	1.00000	0.1123	0.112300
728-931302-00	SENSOR P.C.B. SUPPORT FOR SENSON P.C.B.	PC	0	2.00000	0.0300	0.060000
744-881301-00	SPRING FOR C.R.T. MOUNTING 5.2 X 42 X 0.6MM	PC	0	1.00000	0.0474	0.047400
746-063101-00	TEST PIN:TOTAL LENGTH 18.6MM THK:0.8MM MAIN P.C.B. 'F','G','J'	PC	0	3.00000	0.0036	0.010800
746-063101-01	AC LINE CORD PIN FOR AC LINE CORD-2 (X)(Y) WIRE-2	PC	0	4.00000	0.0109	0.043600
750-063101-00	SOLDERING LUG LEG:8X4MM FOR U401,Q402,Q504	PC	0	3.00000	0.0022	0.006600
766-686801-00	FUSE HOLDER	PC	0	2.00000	0.0135	0.027000
777-881301-00	SPRING IN 10 X L12 FOR POWER KNOB	PC	0	1.00000	0.0075	0.007500
779-882001-01	IRON HEAT SINK (D) U501,405	PC	0	2.00000	0.0353	0.070600
779-952801-01	IRON HEAT SINK U402	PC	0	1.00000	0.0494	0.049400
781-882001-02	ALUMINIUM HEAT SINK (B) FOR Q402	PC	0	1.00000	0.1853	0.185300
781-882102-03	ALUMIMIUM HEAT SINK (A) FOR Q504	PC	0	1.00000	0.3124	0.312400
781-942105-00	HEAT SINK (C) ASS'Y FOR U401	PC	0	1.00000	0.4271	0.427100
783-931304-02	SHIELD CAN	PC	0	1.00000	0.1888	0.188800
783-931305-04	SHIELD CAN COVER	PC	0	1.00000	0.1059	0.105900
783-932002-00	SHIELD PLATE (SAMSUNG TUNER)	PC	0	1.00000	0.1112	0.111200
810-052204-14	POLYBAG 5" X 22" X 0.04MM PO MAT W/RE-CYCLING MARK FOR AC LINE CORD	PC	0	1.00000	0.0137	0.013700
810-091504-13	POLYBAG 9" X 15" X 0.04MM W/ RE-CYCLING MARK FOR I/MANUAL	PC	0	1.00000	0.0145	0.014500
834-230802-00	RUBBER WASHER OD=23, ID=8, T=2 FOR CRT MTG.	PC	0	4.00000	0.0213	0.085200
840-011024-21	PAD CORD L240 X W10 X T1 MM W/TAPE FOR BETWEEN CRT AND FRONT CAB.	PC	0	4.00000	0.0377	0.150800
840-051020-11	RUBBER PAD (UL 94VO) MAIN P.C.B. (1 UNDER POWER TTRANSFORMER T502)	PC	0	2.00000	0.0948	0.189600

\*\* THIS SPARE LIST IS MADE FOR TECHNICAL / MAINTENANCE REFERENCE ONLY \*\*

Print Date : 11/09/97

PRODUCT CODE : 9313T1-240003-TV

Page Number : 17

DESCRIPTION : A-3 TEAC P/B W/SC./1P.TXT 240VSAA MONO 40P"RAINBOW"AUSTRALIA

Component Part	Description / Location	Unit	Subs	Quantity Required	Unit Price	Amount
840-051020-11	RUBBER PAD (UL 94V0) (1 BETWEEN HEAT SINK A.B. ON COPPER SIDE)	PC	0	0.00000	0.0948	0.000000
840-051020-11	RUBBER PAD (UL 94V0) MAIN P.C.B. (FBT)	PC	0	1.00000	0.0948	0.094800
929-931302-00	LED HOLDER BLACK ABS FOR LED601	PC	0	1.00000	0.0122	0.012200
939-942101-00	POWER KNOB ADAPTOR FOR POWER SWITCH	PC	0	1.00000	0.0157	0.015700
948-881302-00	DEGAUSSING COIL MTG. CLIP	PC	0	4.00000	0.0199	0.079600
954-882803-00	HIGH VOLTAGE CABLE SPACER	PC	0	1.00000	0.0166	0.016600
991-931301-01	POWER KNOB (A-A) MOULDED BLACKABS	PC	0	1.00000	0.0130	0.013000
					ASSB PRICE :	49.492357
					TOTALA PRICE :	146.9798

NO PRICE ITEM : 1

\*\*\* END OF REPORT \*\*\*



